

**MODEL:** CT-1205CL-SMT | **DESCRIPTION:** MAGNETIC BUZZER INDICATOR

**FEATURES**

- surface mount
- washable
- internally driven



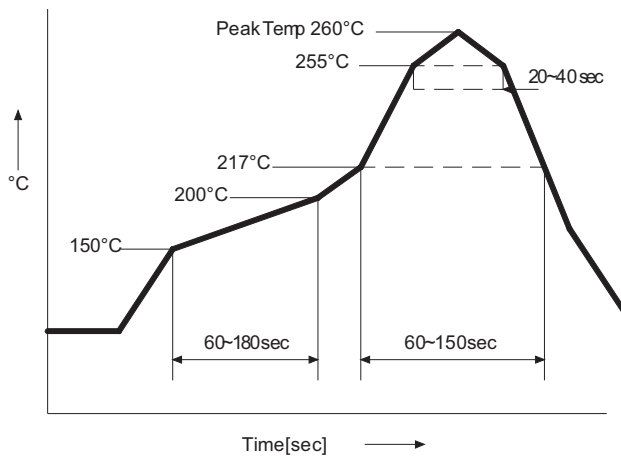
**SPECIFICATIONS**

parameter	conditions/description	min	typ	max	units
rated voltage			5		Vdc
operating voltage		4		7	Vdc
current consumption				30	mA
rated frequency		2,000	2,400	2,800	Hz
sound pressure level	at 10 cm (A-weight), rated voltage	88	92		dBA
dimensions	12.8 x 12.8 x 7.1				mm
weight			2		g
material	PPS (S-206)				
terminal	SMT type (Sn plating)				
operating temperature		-30		70	°C
storage temperature		-40		85	°C
RoHS	yes				

Note: Add suffix "-TR" to the model for tape & reel packaging

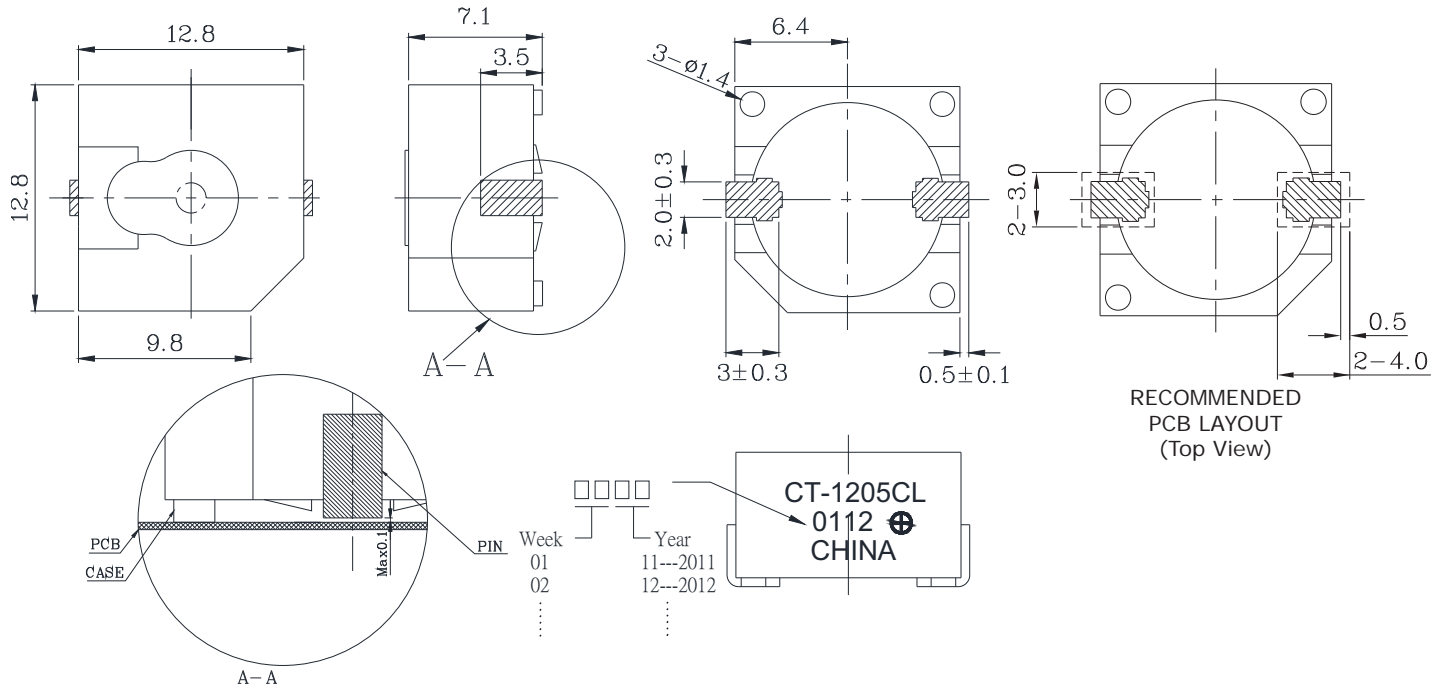
**SOLDERABILITY**

parameter	conditions/description	min	typ	max	units
reflow soldering	see reflow profile			260	°C



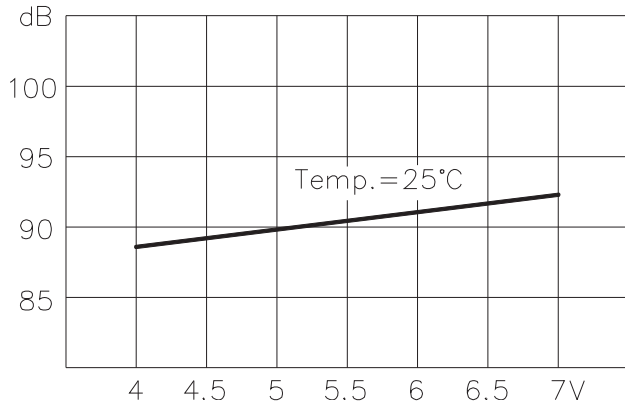
## MECHANICAL DRAWING

units: mm  
tolerance:  $\pm 0.5$  mm

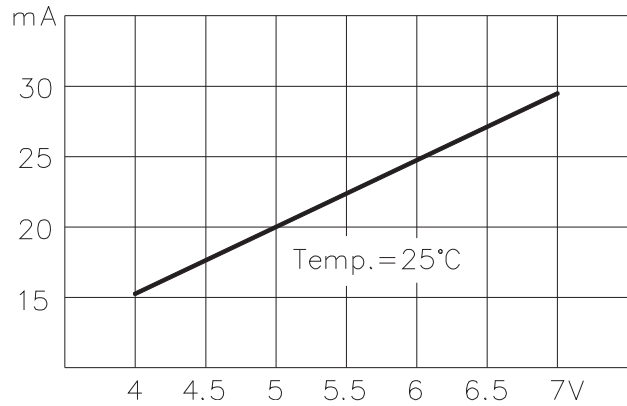


## PERFORMANCE CURVES

Voltage vs. Sound Pressure Level

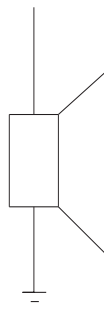


Voltage vs. Current Consumption



## MEASUREMENT METHOD

+V DC



## REVISION HISTORY

---

rev.	description	date
1.0	initial release	09/21/2006
1.01	new template applied	03/29/2010
1.02	updated part number, added TR package option, applied new spec template	05/03/2013

The revision history provided is for informational purposes only and is believed to be accurate.



**CUI INC**<sup>®</sup>

**Headquarters**  
20050 SW 112th Ave.  
Tualatin, OR 97062  
**800.275.4899**

Fax 503.612.2383  
**cui.com**  
techsupport@cui.com

CUI offers a one (1) year limited warranty. Complete warranty information is listed on our website.

CUI reserves the right to make changes to the product at any time without notice. Information provided by CUI is believed to be accurate and reliable. However, no responsibility is assumed by CUI for its use, nor for any infringements of patents or other rights of third parties which may result from its use.

CUI products are not authorized or warranted for use as critical components in equipment that requires an extremely high level of reliability. A critical component is any component of a life support device or system whose failure to perform can be reasonably expected to cause the failure of the life support device or system, or to affect its safety or effectiveness.