


**SACC-E-MS-12CON-M16/0,5 SCO**

Order No.: 1556265

<http://eshop.phoenixcontact.de/phoenix/treeViewClick.do?UID=1556265>

Sensor/actuator flush-type connector, 12-pos., M12 SPEEDCON, front/screw mounting with M16 thread, with 0.5 m TPE litz wire, 12 x 0.14 mm<sup>2</sup>

**Commercial data**

GTIN (EAN)	 4 046356 176781
sales group	D125
Pack	1 pcs.
Customs tariff	85444290
Catalog page information	Page 26 (PC-2009)

**Product notes**

WEEE/RoHS-compliant since:  
04/13/2007



<http://www.download.phoenixcontact.com>  
Please note that the data given here has been taken from the online catalog. For comprehensive information and data, please refer to the user documentation. The General Terms and Conditions of Use apply to Internet downloads.

**Technical data****General data**

Rated current at 40°C	1.5 A
Rated voltage	30 V
Number of positions	12
Volume resistance	≤ 3 mΩ

Insulation resistance	≥ 100 MΩ
Length of cable	0.5 m

#### General characteristics

Standards/regulations	M12 connector IEC 61076-2-101
Coding	A - standard
Surge voltage category	II
Pollution degree	3
Degree of protection	IP67
Contact material	CuZn
Contact surface material	Ni/Au
Contact carrier material	PA 66
Material, knurls	Zinc die-cast, (nickel-plated)
Sealing material	NBR
Mounting type	Front mounting M16 x 1.5
Type of connection	Individual wires
Status display	No

#### Conductor data

Cable type	TPE litz wire
Conductor cross section	0.14 mm <sup>2</sup>
AWG signal line	26
Wire colors	Color-coded DIN 47100
Material conductor insulation	TPE

#### Certificates / Approvals

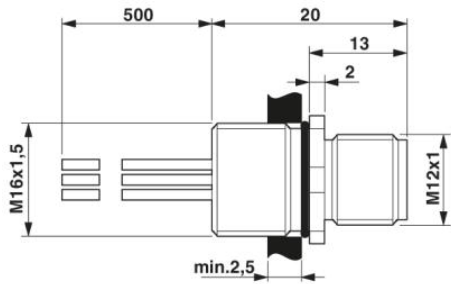


Certification

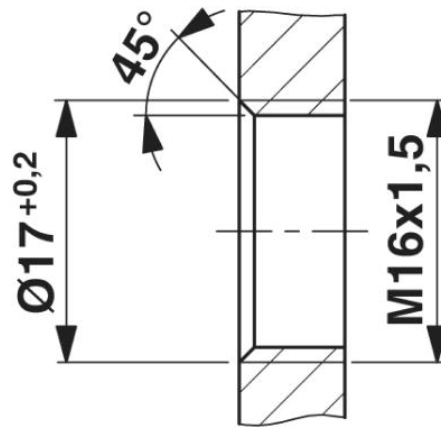
UL

**Diagrams/Drawings**

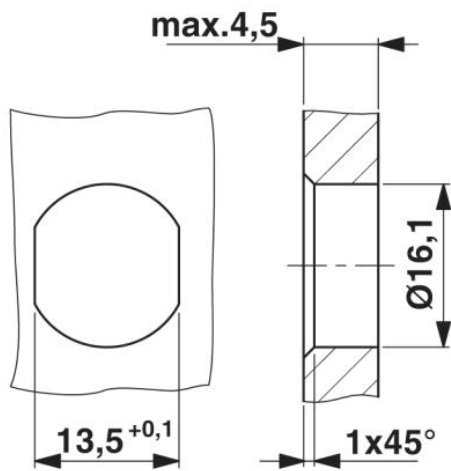
Dimensioned drawing



M12 flush-type connector



Housing cutout for M16 fastening thread, mounting panel with thread



Housing cutout for M16 fastening thread, mounting panel with feed-through hole (alternatively with surface as protection against rotation)

Circuit diagram

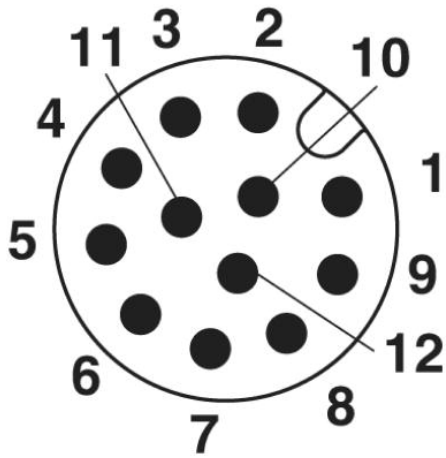


Contact assignment of the M12 plug

Schematic diagram

---

Pin assignment M12 male connector, 12-pos., male side view



**Address**

PHOENIX CONTACT Inc., USA  
586 Fulling Mill Road  
Middletown, PA 17057, USA  
Phone (800) 888-7388  
Fax (717) 944-1625  
<http://www.phoenixcon.com>



© 2010 Phoenix Contact  
Technical modifications reserved;