



pui
audio™ inc
a projects unlimited company

SMT-0825-S-4-R

8.5x8.5mm

Transducer

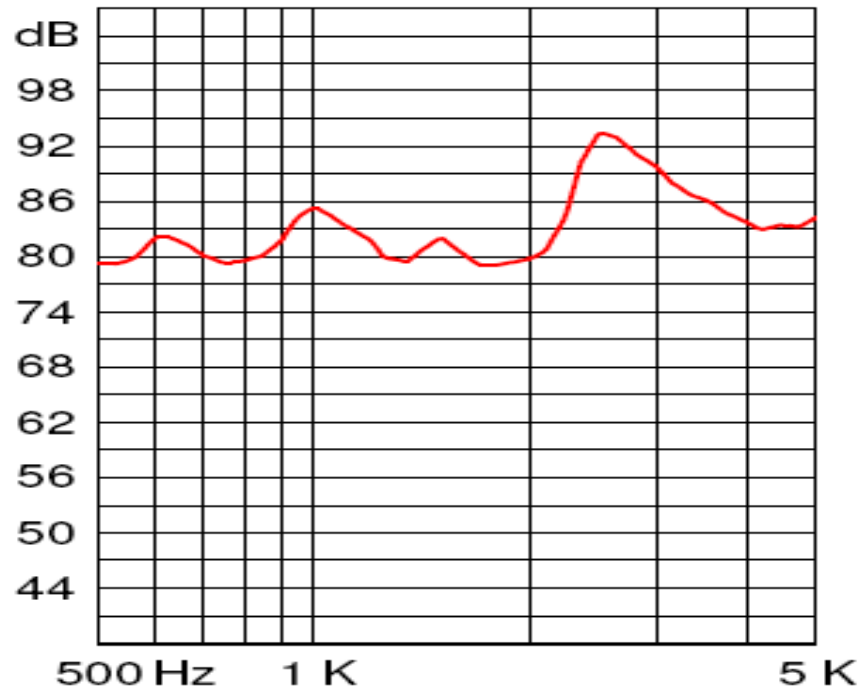


3541 Stop Eight Road • Dayton, Ohio 45414

Product Overview

- Side-firing electromechanical transducer designed for 2.5 to 4.5 Vp-p
- Small 8.5 x 8.5mm footprint and 3mm height for thin, modern devices
- 85 dBA minimum output (3.6Vp-p @ 10 cm) and 2.5kHz resonant frequency
- Designed for reflow soldering using a lead-free profile

Frequency Response (3.6 Vp-p @ 0.1 meters)



RoHS Compliant





SMT-0825-S-4-R

8.5x8.5mm

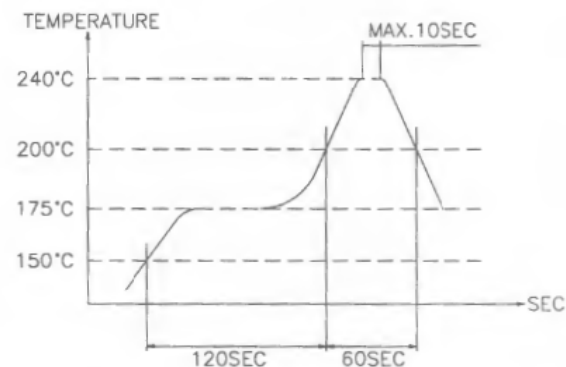
Transducer

Mechanical and Environment Testing

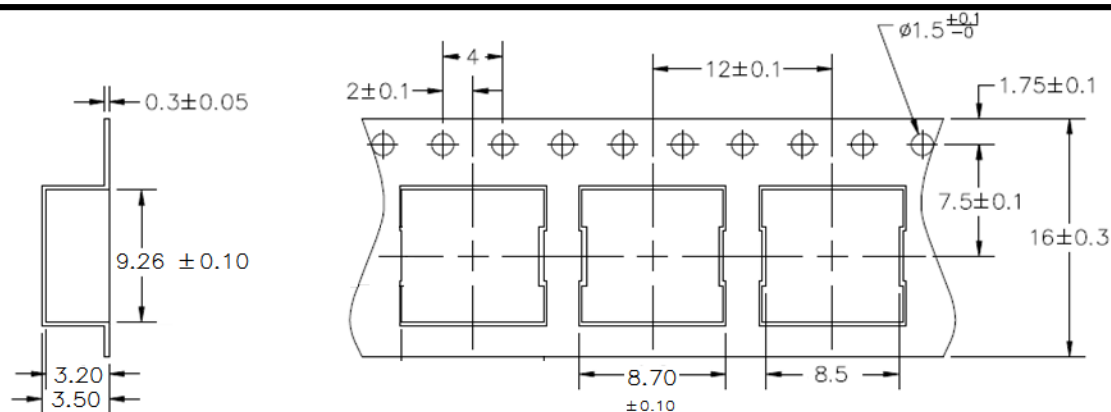
Test Description	Test Condition
High Temperature	85°C (±2°C) with random humidity for 96 hours
Low Temperature	-40°C (±2°C) with random humidity for 96 hours
Humidity	25°C to 60°C with 90% to 95% relative humidity for 12 hours, 10 cycles
Vibration	1.53 mm movement modulated at 10-55 Hz in 3 directions for 6 hours
Drop Test	120 cm free fall in six directions, 3 cycles
Temperature Cycle Test	-30°C to 70°C, five 90 minute cycles

After testing, part shall rest for two hours and then be tested for a clean, pure tone.

Recommended Reflow Profile

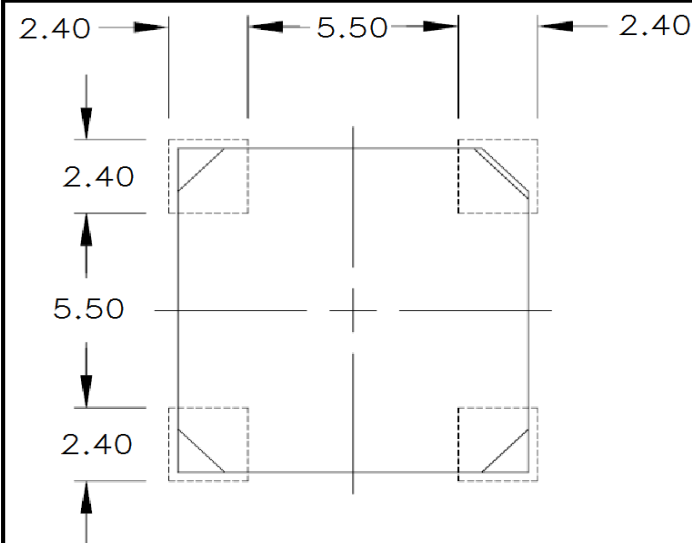


Tape Dimensions



SMT-0825-S-4-R
Tape Dimensions
2,000 PCS/Reel

Recommended Land Pattern



SPECIFICATIONS

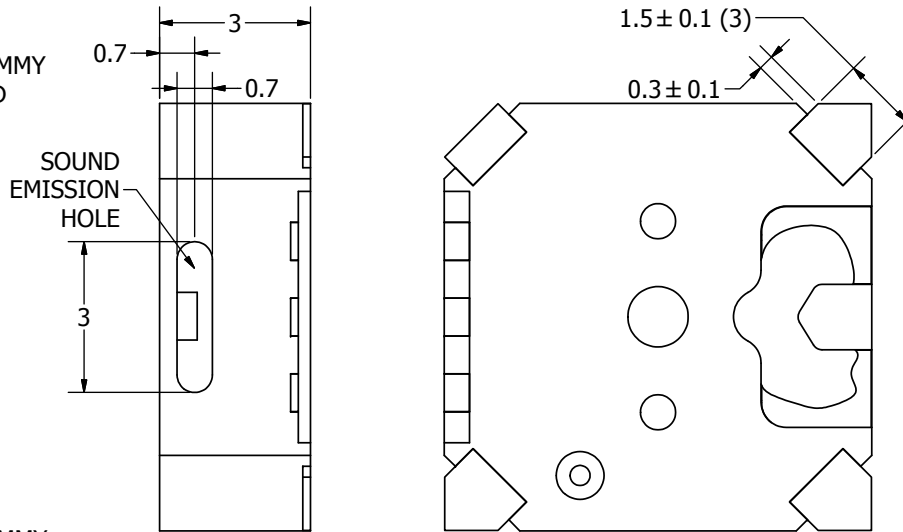
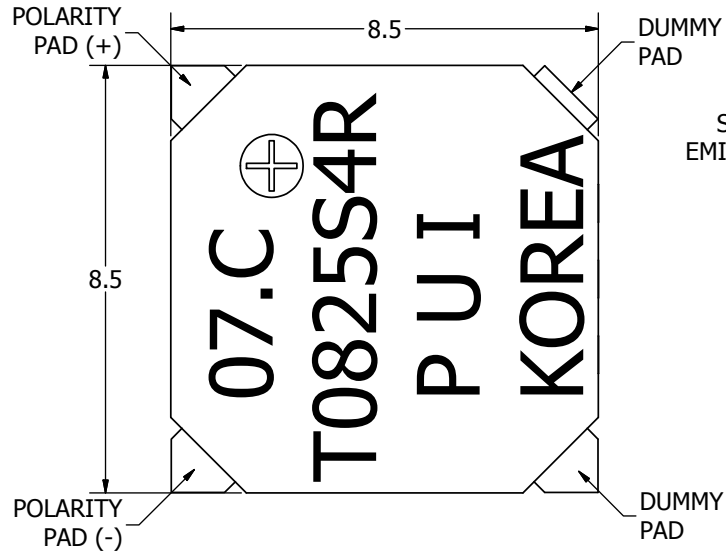
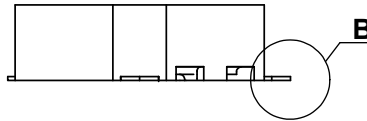
PARAMETERS	VALUES	UNIT
RATED VOLTAGE	3.6	Vp-p
OPERATING VOLTAGE RANGE	2.5 ~ 4.5	Vp-p
RATED CURRENT (MAX)	90	mA
COIL RESISTANCE	15 ± 3	OHM
MINIMUM SPL @ 10 CM	85	dB
RESONANT FREQUENCY	2,500 ± 500	Hz
OPERATING TEMPERATURE	-30 ~ +70	°C
STORAGE TEMPERATURE	-40 ~ +85	°C
HOUSING MATERIAL	LCP	-
TERMINAL MATERIAL	Sn PLATED PHOSPHOR BRONZE	-
WEIGHT	0.4	grams

THIS DOCUMENT CONTAINS DATA PROPRIETARY TO PROJECTS UNLIMITED, INC. ANY USE OR REPRODUCTION, IN ANY FORM, WITHOUT PRIOR WRITTEN PERMISSION OF PROJECTS UNLIMITED, INC. IS PROHIBITED.
©2003, Projects Unlimited Inc.

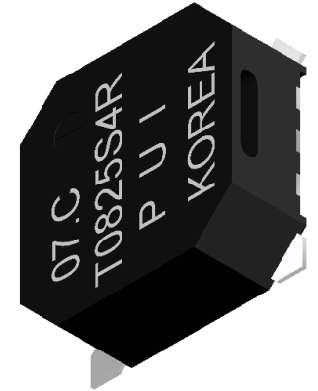
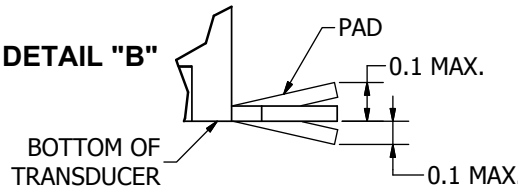
REVISION HISTORY

LTR	DESCRIPTION	DATE	APPROVED
-	RELEASED FROM ENGINEERING	4/1/2005	
A	ADDED RoHS COMPLIANCE NOTE	8/10/2005	
B	REVISED TO INVENTOR 3-D DRAWING TEMPLATE	4/30/2010	B.R.

A (5 : 1)




DETAIL "B"



NOTES:

1. ALL DIMENSIONS ARE IN MILLIMETERS.
2. SPECIFICATIONS SUBJECT TO CHANGE OR WITHDRAWAL WITHOUT NOTICE.
3. THIS PART IS RoHS 2002/95/EC COMPLIANT.

UNLESS OTHERWISE SPECIFIED: DIMENSIONS ARE IN MILLIMETERS, TOLERANCES ARE ±0.5 AND ANGLES ARE ±3°.	SIZE A3	Designed by	Date	Checked by	Date	Approved by	Date	Drawn Date
		G.V.	4/1/2005	E.P.	4/1/2005	R.W.	4/1/2005	4/30/2010
		SMT-0825-S-4-R.idw		 pu audio™ a projects unlimited company		SMT-0825-S-4-R Transducer (Electro-Mech)		Edition
						-	1 / 1	