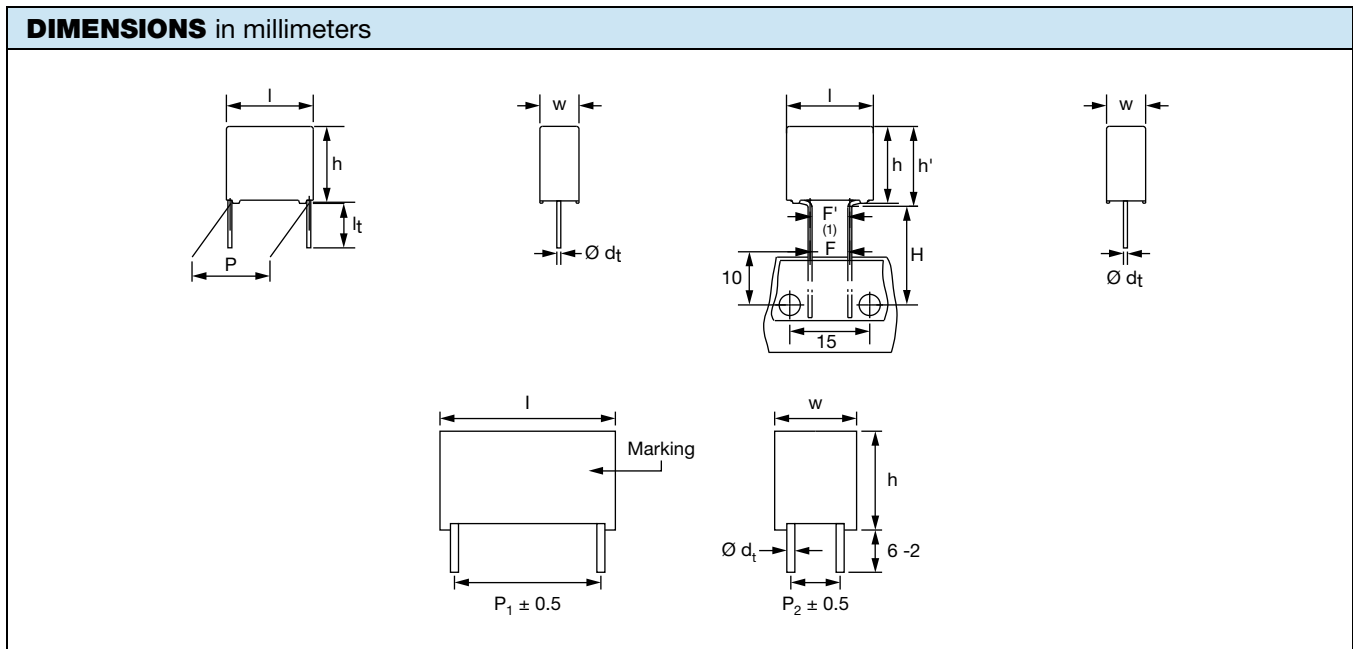


Detailed Ratings

ELECTRICAL DATA ⁽¹⁾	
U_{RDC} (V)	CAP. (μ F)
250	0.0068 min.
	2.7 max.
400	0.0047 min.
	1.5 max.
630	0.00047 min.
	4.7 max.
1000	0.0043 min.
	1.8 max.
1400	0.0022 min.
	0.68 max.
1600	0.0027 min.
	0.56 max.
2000	0.0010 min.
	0.56 max.
2500	0.0010 min.
	0.3 max.

Note

⁽¹⁾ For series overview see www.vishay.com/doc?28173


Note

⁽¹⁾ $|F-F'| < 0.3$ mm
 $F = 7.5$ mm + 0.6 mm/- 0.1 mm
 $\text{Ø } d_t \pm 10\%$ of standard diameter specified



SPECIFIC REFERENCE DATA - 250 V _{DC}	
DESCRIPTION	VALUE
Rated voltage pulse slope (dU/dt) _R	
Pitch = 7.5 mm	2250 V/μs
Pitch = 10 mm	865 V/μs
Pitch = 15 mm (W < 6 mm)	450 V/μs
Pitch = 15 mm (W > 6 mm)	900 V/μs
Pitch = 22.5 mm	290 V/μs
Pitch = 27.5 mm (W < 15 mm)	190 V/μs
Pitch = 27.5 mm (W > 15 mm)	130 V/μs
R between leads, for C ≤ 1 μF at 100 V; 1 min	> 100 000 MΩ
RC between leads, for C > 1 μF at 100 V; 1 min	> 100 000 s
R between leads and case; 100 V; 1 min	> 30 000 MΩ
Ionization (AC) voltage (typical value) at 50 pC peak discharge	> 220 V
Withstanding (DC) voltage (cut off current 10 mA) ⁽¹⁾ ; rise time ≤ 1000 V/s	400 V; 1 min
Withstanding (DC) voltage between leads and case	2840 V; 1 min
Maximum application temperature	105 °C

Note

(1) See "Voltage Proof Test for Metalized Film Capacitors": www.vishay.com/doc?28169

TANGENT OF LOSS ANGLE - 250 V _{DC}		
DESCRIPTION	VALUE	
	10 kHz	100 kHz
0.0068 μF < C ≤ 0.075 μF	≤ 10 x 10 ⁻⁴	≤ 15 x 10 ⁻⁴
0.075 μF < C ≤ 0.15 μF	≤ 10 x 10 ⁻⁴	≤ 20 x 10 ⁻⁴
0.15 μF < C ≤ 0.39 μF	≤ 10 x 10 ⁻⁴	≤ 25 x 10 ⁻⁴
0.39 μF < C ≤ 0.56 μF	≤ 10 x 10 ⁻⁴	≤ 45 x 10 ⁻⁴
0.56 μF < C ≤ 0.82 μF	≤ 10 x 10 ⁻⁴	≤ 50 x 10 ⁻⁴
0.82 μF < C ≤ 1.2 μF	≤ 10 x 10 ⁻⁴	≤ 65 x 10 ⁻⁴
1.2 μF < C ≤ 1.8 μF	≤ 15 x 10 ⁻⁴	≤ 75 x 10 ⁻⁴
1.8 μF < C ≤ 2.2 μF	≤ 15 x 10 ⁻⁴	≤ 85 x 10 ⁻⁴
2.2 μF < C ≤ 2.7 μF	≤ 15 x 10 ⁻⁴	≤ 95 x 10 ⁻⁴



$U_{RDC} = 250 \text{ V}$; $U_{RAC} = 125 \text{ V}/U_{p-p} = 350 \text{ V}$; $C\text{-tol.} = \pm 5 \%$

C (μF)	DIMENSIONS w x h x l (mm)	MASS (g) ⁽²⁾	CATALOG NUMBER MKP383 AND PACKAGING								
			LOOSE IN BOX					AMMOPACK ⁽¹⁾		REEL ⁽¹⁾	
			SHORT LEADS			LONG LEADS		H = 18.5 mm P ₀ = 12.7 mm		H = 18.5 mm P ₀ = 12.7 mm	
			$l_t = 3.5 \text{ mm}$ + 1 mm/- 0.5 mm	$l_t = 5.0 \text{ mm}$ $\pm 1.0 \text{ mm}$	SPQ	$l_t = 25 \text{ mm}$ $\pm 2.0 \text{ mm}$	SPQ		SPQ		SPQ
PITCH = 7.5 mm \pm 0.4 mm; $d_t = 0.60 \text{ mm} \pm 0.06 \text{ mm}$											
0.0068	4 x 9 x 10	0.45	268025JCA2B0	268025JCM2B0	2000	268025JCI2B0	1000	268025JC02G0	1250	268025JC02W0	1500
0.0075			275025JCA2B0	275025JCM2B0		275025JCI2B0		275025JC02G0		275025JC02W0	
0.0082			282025JCA2B0	282025JCM2B0		282025JCI2B0		282025JC02G0		282025JC02W0	
0.0091			291025JCA2B0	291025JCM2B0		291025JCI2B0		291025JC02G0		291025JC02W0	
0.010	4.5 x 9.5 x 10	0.55	310025JCA2B0	310025JCM2B0	1500	310025JCI2B0	1250	310025JC02G0	1000	310025JC02W0	1000
0.011			311025JCA2B0	311025JCM2B0		311025JCI2B0		311025JC02G0		311025JC02W0	
0.012			312025JCA2B0	312025JCM2B0		312025JCI2B0		312025JC02G0		312025JC02W0	
0.013			313025JCA2B0	313025JCM2B0		313025JCI2B0		313025JC02G0		313025JC02W0	
0.015			315025JCA2B0	315025JCM2B0		315025JCI2B0		315025JC02G0		315025JC02W0	
0.016			316025JCA2B0	316025JCM2B0		316025JCI2B0		316025JC02G0		316025JC02W0	
0.018	5.0 x 10.5 x 10.3	0.65	318025JCA2B0	318025JCM2B0	1250	318025JCI2B0	1250	318025JC02G0	1000	318025JC02W0	1000
0.020			320025JCA2B0	320025JCM2B0		320025JCI2B0		320025JC02G0		320025JC02W0	

Notes

- ⁽¹⁾ Reel diameter = 356 mm is available on request.
- ⁽²⁾ H = In-tape height; P₀ = Sprocket hole distance; for detailed specifications refer to packaging information www.vishay.com/doc?28139
- ⁽³⁾ Weight for short lead product only
SPQ = Standard Packing Quantity



Bent back pitch: 7.5 mm (only taped); $U_{RDC} = 250 V$; $U_{RAC} = 125 V/U_{p-p} = 350 V$; C-tol. = $\pm 5 \%$

C (μF)	DIMENSIONS w x h' x l (mm)	MASS (g) ⁽²⁾	CATALOG NUMBER MKP383 AND PACKAGING					
			AMMOPACK ⁽¹⁾		REEL (500 mm) ⁽¹⁾		REEL (356 mm) ⁽¹⁾	
			H = 16.0 mm P ₀ = 15.0 mm	SPQ	H = 16.0 mm P ₀ = 15.0 mm	SPQ	H = 16.0 mm P ₀ = 15.0 mm	SPQ
BENT BACK PITCH = 7.5 mm \pm 0.4 mm; d_t = 0.60 mm \pm 0.06 mm								
0.022	4.0 x 12 x 12.5	0.6	322025JC02H0	1300	322025JC02R0	2000	-	-
0.024			324025JC02H0		324025JC02R0			
0.027			327025JC02H0		327025JC02R0			
0.030			330025JC02H0		330025JC02R0			
0.033			333025JC02H0		333025JC02R0			
0.036			336025JC02H0		336025JC02R0			
0.039			339025JC02H0		339025JC02R0			
0.043	5.0 x 13 x 12.5	0.82	343025JC02H0	1000	343025JC02R0	1900	-	-
0.047			347025JC02H0		347025JC02R0			
0.051			351025JC02H0		351025JC02R0			
0.056			356025JC02H0		356025JC02R0			
0.062	6.0 x 14 x 12.5	1.1	362025JC02H0	850	362025JC02R0	1500	-	-
0.068			368025JC02H0		368025JC02R0			
0.075			375025JC02H0		375025JC02R0			
BENT BACK PITCH = 7.5 mm \pm 0.4 mm; d_t = 0.60 mm \pm 0.06 mm								
0.082	5.0 x 13 x 17.5	1.1	-	-	382025JC02R0	950	382025JC02Z0	550
0.091			-	-	391025JC02R0		391025JC02Z0	
0.100			-	-	410025JC02R0		410025JC02Z0	
0.110	6.0 x 14 x 17.5	1.4	-	-	411025JC02R0	800	411025JC02Z0	450
0.120			-	-	412025JC02R0		412025JC02Z0	
0.130			-	-	413025JC02R0		413025JC02Z0	
0.150			-	-	415025JC02R0		415025JC02Z0	
BENT BACK PITCH = 7.5 mm \pm 0.4 mm; d_t = 0.80 mm \pm 0.08 mm								
0.160	7.0 x 15.5 x 17.5	1.8	-	-	416025JC02R0	700	416025JC02Z0	400
0.180			-	-	418025JC02R0		418025JC02Z0	
0.200			-	-	420025JC02R0		420025JC02Z0	
0.220	8.5 x 17 x 17.5	2.6	-	-	422025JC02R0	550	422025JC02Z0	300
0.240			-	-	424025JC02R0		424025JC02Z0	
0.270			-	-	427025JC02R0		427025JC02Z0	
0.300			-	-	430025JC02R0		430025JC02Z0	
0.330	10.0 x 18.5 x 17.5	3.3	-	-	433025JC02R0	500	433025JC02Z0	250
0.360			-	-	436025JC02R0		436025JC02Z0	
0.390			-	-	439025JC02R0		439025JC02Z0	

Notes

⁽¹⁾ H = In-tape height; P₀ = Sprocket hole distance; for detailed specifications refer to packaging information www.vishay.com/doc?28139

⁽²⁾ Weight for short lead product only
SPQ = Standard Packing Quantity



$U_{RDC} = 250 \text{ V}$; $U_{RAC} = 125 \text{ V}/U_{p-p} = 350 \text{ V}$; $C\text{-tol.} = \pm 5 \%$

C (μF)	DIMENSIONS w x h x l (mm)	MASS (g) ⁽²⁾	CATALOG NUMBER MKP383 AND PACKAGING								
			LOOSE IN BOX					AMMOPACK ⁽¹⁾		REEL ⁽¹⁾	
			SHORT LEADS			LONG LEADS		H = 18.5 mm P ₀ = 12.7 mm		H = 18.5 mm P ₀ = 12.7 mm	
			$l_t = 3.5 \text{ mm}$ $+1 \text{ mm}/-0.5 \text{ mm}$	$l_t = 5.0 \text{ mm}$ $\pm 1.0 \text{ mm}$	SPQ	$l_t = 25.0 \text{ mm}$ $\pm 2.0 \text{ mm}$	SPQ		SPQ		SPQ
PITCH = 10 mm \pm 0.4 mm; $d_t = 0.60 \text{ mm} \pm 0.06 \text{ mm}$											
0.022	4.0 x 10.0 x 12.5	0.6	322025JDA2B0	322025JDM2B0	1000	322025JDI2B0	1250	322025JD02G0	950	322025JD02W0	1400
0.024			324025JDA2B0	324025JDM2B0		324025JDI2B0		324025JD02G0		324025JD02W0	
0.027			327025JDA2B0	327025JDM2B0		327025JDI2B0		327025JD02G0		327025JD02W0	
0.030			330025JDA2B0	330025JDM2B0		330025JDI2B0		330025JD02G0		330025JD02W0	
0.033			333025JDA2B0	333025JDM2B0		333025JDI2B0		333025JD02G0		333025JD02W0	
0.036			336025JDA2B0	336025JDM2B0		336025JDI2B0		336025JD02G0		336025JD02W0	
0.039			339025JDA2B0	339025JDM2B0		339025JDI2B0		339025JD02G0		339025JD02W0	
0.043	5.0 x 11.0 x 12.5	0.82	343025JDA2B0	343025JDM2B0	1000	343025JDI2B0	1000	343025JD02G0	750	343025JD02W0	1000
0.047			347025JDA2B0	347025JDM2B0		347025JDI2B0		347025JD02G0		347025JD02W0	
0.051			351025JDA2B0	351025JDM2B0		351025JDI2B0		351025JD02G0		351025JD02W0	
0.056			356025JDA2B0	356025JDM2B0		356025JDI2B0		356025JD02G0		356025JD02W0	
0.062	6.0 x 12.0 x 12.5	1.1	362025JDA2B0	362025JDM2B0	750	362025JDI2B0	750	362025JD02G0	600	362025JD02W0	900
0.068			368025JDA2B0	368025JDM2B0		368025JDI2B0		368025JD02G0		368025JD02W0	
0.075			375025JDA2B0	375025JDM2B0		375025JDI2B0		375025JD02G0		375025JD02W0	

Notes

- (1) Reel diameter = 356 mm is available on request.
- (2) H = In-tape height; P₀ = Sprocket hole distance; for detailed specifications refer to packaging information www.vishay.com/doc?28139
- (3) Weight for short lead product only
SPQ = Standard Packing Quantity

$U_{RDC} = 250 \text{ V}$; $U_{RAC} = 125 \text{ V}/U_{p-p} = 350 \text{ V}$; $C\text{-tol.} = \pm 5 \%$

C (μF)	DIMENSIONS w x h x l (mm)	MASS (g) ⁽³⁾	CATALOG NUMBER MKP383 AND PACKAGING							
			LOOSE IN BOX					REEL ⁽¹⁾⁽²⁾		
			SHORT LEADS			LONG LEADS		H = 18.5 mm P ₀ = 12.7 mm		
			$l_t = 3.5 \text{ mm}$ $\pm 0.3 \text{ mm}$	$l_t = 5.0 \text{ mm}$ $\pm 1.0 \text{ mm}$	SPQ	$l_t = 25.0 \text{ mm}$ $+ 2.0 \text{ mm}$	SPQ		SPQ	
PITCH = 15 mm \pm 0.4 mm; $d_t = 0.60 \text{ mm} \pm 0.06 \text{ mm}$										
0.082	5.0 x 11.0 x 17.5	1.1	382025JFP2B0	382025JFM2B0	1250	382025JFI2B0	1000	382025JF02W0	1100	
0.091			391025JFP2B0	391025JFM2B0		391025JFI2B0		391025JF02W0		
0.100			410025JFP2B0	410025JFM2B0		410025JFI2B0		410025JF02W0		
0.110	6.0 x 12.0 x 17.5	1.4	411025JFP2B0	411025JFM2B0	1000	411025JFI2B0	1000	411025JF02W0	900	
0.120			412025JFP2B0	412025JFM2B0		412025JFI2B0		412025JF02W0		
0.130			413025JFP2B0	413025JFM2B0		413025JFI2B0		413025JF02W0		
0.150			415025JFP2B0	415025JFM2B0		415025JFI2B0		415025JF02W0		
PITCH = 15 mm \pm 0.4 mm; $d_t = 0.80 \text{ mm} \pm 0.08 \text{ mm}$										
0.160	7.0 x 13.5 x 17.5	1.8	416025JFP2B0	416025JFM2B0	750	416025JFI2B0	500	416025JF02W0	800	
0.180			418025JFP2B0	418025JFM2B0		418025JFI2B0		418025JF02W0		
0.200			420025JFP2B0	420025JFM2B0		420025JFI2B0		420025JF02W0		
0.220	8.5 x 15.0 x 17.5	2.6	422025JFP2B0	422025JFM2B0	750	422025JFI2B0	500	422025JF02W0	650	
0.240			424025JFP2B0	424025JFM2B0		424025JFI2B0		424025JF02W0		
0.270			427025JFP2B0	427025JFM2B0		427025JFI2B0		427025JF02W0		
0.300			430025JFP2B0	430025JFM2B0		430025JFI2B0		430025JF02W0		
0.330	10.0 x 16.5 x 17.5	3.3	433025JFP2B0	433025JFM2B0	500	433025JFI2B0	450	433025JF02W0	600	
0.360			436025JFP2B0	436025JFM2B0		436025JFI2B0		436025JF02W0		
0.390			439025JFP2B0	439025JFM2B0		439025JFI2B0		439025JF02W0		

Notes

- (1) Reel diameter = 356 mm is available on request.
- (2) H = In-tape height; P₀ = Sprocket hole distance; for detailed specifications refer to packaging information www.vishay.com/doc?28139
- (3) Weight for short lead product only
SPQ = Standard Packing Quantity



$U_{RDC} = 250 \text{ V}$; $U_{RAC} = 125 \text{ V}/U_{p-p} = 350 \text{ V}$; $C\text{-tol.} = \pm 5 \%$

C (μF)	DIMENSIONS w x h x l (mm)	MASS (g) ⁽³⁾	CATALOG NUMBER MKP383 AND PACKAGING						
			LOOSE IN BOX					REEL (500 mm) ⁽¹⁾⁽²⁾	
			SHORT LEADS			LONG LEADS		H = 18.5 mm P ₀ = 12.7 mm	
			$l_t = 3.5 \text{ mm} \pm 0.3 \text{ mm}$	$l_t = 5.0 \text{ mm} \pm 1.0 \text{ mm}$	SPQ	$l_t = 25.0 \text{ mm} \pm 2.0 \text{ mm}$	SPQ		SPQ
PITCH = 22.5 mm \pm 0.4 mm; $d_t = 0.80 \pm 0.08 \text{ mm}$									
0.43	7.0 x 16.5 x 26.0	3.0	443025JIP2T0	443025JIM2T0	200	443025JII2B0	250	443025JI02W0	550
0.47	8.5 x 18.0 x 26.0	4.2	447025JIP2T0	447025JIM2T0	200	447025JII2B0	250	447025JI02W0	450
0.51			451025JIP2T0	451025JIM2T0		451025JII2B0		451025JI02W0	
0.56			456025JIP2T0	456025JIM2T0		456025JII2B0		456025JI02W0	
0.62			462025JIP2T0	462025JIM2T0		462025JII2B0		462025JI02W0	
0.68	10.0 x 19.5 x 26.0	5.3	468025JIP2T0	468025JIM2T0	200	468025JII2B0	200	468025JI02W0	350
0.75			475025JIP2T0	475025JIM2T0		475025JII2B0		475025JI02W0	
0.82			482025JIP2T0	482025JIM2T0		482025JII2B0		482025JI02W0	

Notes

(1) Reel diameter = 356 mm is available on request.

(2) H = In-tape height; P₀ = Sprocket hole distance; for detailed specifications refer to packaging information www.vishay.com/doc?28139

(3) Weight for short lead product only
SPQ = Standard Packing Quantity

$U_{RDC} = 250 \text{ V}$; $U_{RAC} = 125 \text{ V}/U_{p-p} = 350 \text{ V}$; $C\text{-tol.} = \pm 5 \%$

C (μF)	DIMENSIONS w x h x l (mm)	MASS (g) ⁽¹⁾	CATALOG NUMBER MKP383 AND PACKAGING				
			LOOSE IN BOX				
			SHORT LEADS			LONG LEADS	
			$l_t = 3.5 \text{ mm} \pm 0.3 \text{ mm}$	$l_t = 5.0 \text{ mm} \pm 1.0 \text{ mm}$	SPQ	$l_t = 25.0 \text{ mm} \pm 2.0 \text{ mm}$	SPQ
PITCH = 27.5 mm \pm 0.4 mm; $d_t = 0.80 \text{ mm} \pm 0.08 \text{ mm}$							
0.91	11.0 x 21.0 x 31.0	8.0	491025JKP2T0	491025JKM2T0	100	491025JKI2B0	125
1.00			510025JKP2T0	510025JKM2T0		510025JKI2B0	
1.10			511025JKP2T0	511025JKM2T0		511025JKI2B0	
1.20			512025JKP2T0	512025JKM2T0		512025JKI2B0	
1.30	13.0 x 23.0 x 31.0	9.7	513025JKP2T0	513025JKM2T0	100	513025JKI2B0	125
1.50			515025JKP2T0	515025JKM2T0		515025JKI2B0	
1.60			516025JKP2T0	516025JKM2T0		516025JKI2B0	
1.80	15.0 x 25.0 x 31.5	12.6	518025JKP2T0	518025JKM2T0	100	518025JKI2B0	125
2.00			520025JKP2T0	520025JKM2T0		520025JKI2B0	
2.20	18.0 x 28.0 x 31.5	16.3	522025JKP2T0	522025JKM2T0	100	522025JKI2B0	100
2.40			524025JKP2T0	524025JKM2T0		524025JKI2B0	
2.70			527025JKP2T0	527025JKM2T0		527025JKI2B0	

Note

(1) Weight for short lead product only
SPQ = Standard Packing Quantity



SPECIFIC REFERENCE DATA - 400 V _{DC}	
DESCRIPTION	VALUE
Rated voltage pulse slope (dU/dt) _R	
Pitch = 7.5 mm	3600 V/μs
Pitch = 10 mm	1300 V/μs
Pitch = 15 mm (W < 6 mm)	600 V/μs
Pitch = 15 mm (W > 6 mm)	1200 V/μs
Pitch = 22.5 mm	410 V/μs
Pitch = 27.5 mm (W < 15 mm)	260 V/μs
Pitch = 27.5 mm (W > 15 mm)	180 V/μs
R between leads, for C ≤ 1 μF at 100 V; 1 min	> 100 000 MΩ
RC between leads, for C > 1 μF at 100 V; 1 min	> 100 000 S
R between leads and case; 100 V; 1 min	> 30 000 MΩ
Ionization (AC) voltage (typical value) at 50 pC peak discharge	> 220 V
Withstanding (DC) voltage (cut off current 10 mA) ⁽¹⁾ ; rise time ≤ 1000 V/s:	640 V; 1 min
Withstanding (DC) voltage between leads and case	2840 V; 1 min
Maximum application temperature	105 °C

Note

⁽¹⁾ See "Voltage Proof Test for Metalized Film Capacitors": www.vishay.com/doc?28169

TANGENT OF LOSS ANGLE - 400 V _{DC}		
DESCRIPTION	VALUE	
	10 kHz	100 kHz
0.0047 μF < C ≤ 0.043 μF	≤ 10 x 10 ⁻⁴	≤ 15 x 10 ⁻⁴
0.043 μF < C ≤ 0.22 μF	≤ 10 x 10 ⁻⁴	≤ 20 x 10 ⁻⁴
0.22 μF < C ≤ 0.33 μF	≤ 10 x 10 ⁻⁴	≤ 35 x 10 ⁻⁴
0.33 μF < C ≤ 0.43 μF	≤ 10 x 10 ⁻⁴	≤ 40 x 10 ⁻⁴
0.43 μF < C ≤ 0.68 μF	≤ 10 x 10 ⁻⁴	≤ 50 x 10 ⁻⁴
0.68 μF < C ≤ 0.82 μF	≤ 10 x 10 ⁻⁴	≤ 55 x 10 ⁻⁴
0.82 μF < C ≤ 1.2 μF	≤ 10 x 10 ⁻⁴	≤ 60 x 10 ⁻⁴
1.2 μF < C ≤ 1.5 μF	≤ 10 x 10 ⁻⁴	≤ 65 x 10 ⁻⁴



$U_{RDC} = 400\text{ V}$; $U_{RAC} = 200\text{ V}$ / $U_{p-p} = 560\text{ V}$; $C\text{-tol.} = \pm 5\%$

C (μF)	DIMENSIONS w x h x l (mm)	MASS (g) ⁽³⁾	CATALOG NUMBER MKP383 AND PACKAGING								
			LOOSE IN BOX				AMMOPACK ⁽¹⁾		REEL ⁽¹⁾⁽²⁾		
			SHORT LEADS		LONG LEADS		H = 18.5 mm P ₀ = 12.7 mm		H = 18.5 mm P ₀ = 12.7 mm		
			$l_t = 3.5\text{ mm}$ + 1 mm/- 0.5 mm	$l_t = 5.0\text{ mm}$ $\pm 1.0\text{ mm}$	$l_t = 25.0\text{ mm}$ $\pm 2.0\text{ mm}$	SPQ		SPQ		SPQ	
PITCH = 7.5 mm \pm 0.4 mm; d_t = 0.60 mm \pm 0.06 mm											
0.0047	4.5 x 9.5 x 10	0.3	247040JCA2B0	247040JCM2B0	2000	247040JCI2B0	1250	247040JC02G0	1000	247040JC02W0	1000
0.0051			251040JCA2B0	251040JCM2B0		251040JCI2B0		251040JC02G0		251040JC02W0	
0.0056			256040JCA2B0	256040JCM2B0		256040JCI2B0		256040JC02G0		256040JC02W0	
0.0062			262040JCA2B0	262040JCM2B0		262040JCI2B0		262040JC02G0		262040JC02W0	
0.0068	5 x 10.5 x 10.3	0.3	268040JCA2B0	268040JCM2B0	2000	268040JCI2B0	1250	268040JC02G0	1000	268040JC02W0	1000
0.0075			275040JCA2B0	275040JCM2B0		275040JCI2B0		275040JC02G0		275040JC02W0	
0.0082			282040JCA2B0	282040JCM2B0		282040JCI2B0		282040JC02G0		282040JC02W0	
0.0091			291040JCA2B0	291040JCM2B0		291040JCI2B0		291040JC02G0		291040JC02W0	

Notes

- (1) Reel diameter = 356 mm is available on request.
- (2) H = In-tape height; P₀ = Sprocket hole distance; for detailed specifications refer to packaging information www.vishay.com/doc?28139
- (3) Weight for short lead product only
SPQ = Standard Packing Quantity



Bent back pitch: 7.5 mm (only taped); $U_{RDC} = 400\text{ V}$; $U_{RAC} = 200\text{ V}/U_{p-p} = 560\text{ V}$; C-tol. = $\pm 5\%$

C (μF)	DIMENSIONS w x h' x l (mm)	MASS (g) ⁽²⁾	CATALOG NUMBER MKP383 AND PACKAGING					
			AMMOPACK ⁽¹⁾		REEL (500 mm) ⁽¹⁾		REEL (356 mm) ⁽¹⁾	
			H = 16.0 mm P ₀ = 15.0 mm	SPQ	H = 16.0 mm P ₀ = 15.0 mm	SPQ	H = 16.0 mm P ₀ = 15.0 mm	SPQ
BENT BACK PITCH = 7.5 mm \pm 0.4 mm; d_t = 0.60 mm \pm 0.06 mm								
0.010	4.0 x 12.0 x 12.5	0.6	310040JC02H0	1300	310040JC02R0	2000	-	-
0.011			311040JC02H0		311040JC02R0			
0.012			312040JC02H0		312040JC02R0			
0.013			313040JC02H0		313040JC02R0			
0.015			315040JC02H0		315040JC02R0			
0.016			316040JC02H0		316040JC02R0			
0.018			318040JC02H0		318040JC02R0			
0.020			320040JC02H0		320040JC02R0			
0.022			322040JC02H0		322040JC02R0			
0.024			5.0 x 13.0 x 12.5		0.82			
0.027	327040JC02H0	327040JC02R0						
0.030	330040JC02H0	330040JC02R0						
0.033	6.0 x 14.0 x 12.5	1.1	333040JC02H0	850	333040JC02R0	1500	-	-
0.036			336040JC02H0		336040JC02R0			
0.039			339040JC02H0		339040JC02R0			
0.043			343040JC02H0		343040JC02R0			
BENT BACK PITCH = 7.5 mm \pm 0.4 mm; d_t = 0.60 mm \pm 0.06 mm								
0.047	5.0 x 13.0 x 17.5	1.1	-	-	347040JC02R0	950	347040JC02Z0	550
0.051			-		351040JC02R0		351040JC02Z0	
0.056			-		356040JC02R0		356040JC02Z0	
0.062	6.0 x 14.0 x 17.5	1.4	-	-	362040JC02R0	800	362040JC02Z0	450
0.068			-		368040JC02R0		368040JC02Z0	
0.075			-		375040JC02R0		375040JC02Z0	
0.082			-		482025JC02R0		482025JC02Z0	
BENT BACK PITCH = 7.5 mm \pm 0.4 mm; d_t = 0.80 mm \pm 0.08 mm								
0.091	7.0 x 15.5 x 17.5	1.8	-	-	391040JC02R0	700	391040JC02Z0	400
0.100			-		410040JC02R0		410040JC02Z0	
0.110			-		411040JC02R0		411040JC02Z0	
0.120	8.5 x 17.0 x 17.5	2.5	-	-	412040JC02R0	550	412040JC02Z0	300
0.130			-		413040JC02R0		413040JC02Z0	
0.150			-		415040JC02R0		415040JC02Z0	
0.160			-		416040JC02R0		416040JC02Z0	
0.180	10.0 x 18.5 x 17.5	3.3	-	-	418040JC02R0	500	418040JC02Z0	250
0.200			-		420040JC02R0		420040JC02Z0	
0.220			-		422040JC02R0		422040JC02Z0	

Notes

⁽¹⁾ H = In-tape height; P₀ = Sprocket hole distance; for detailed specifications refer to packaging information www.vishay.com/doc?28139

⁽²⁾ Weight for short lead product only
SPQ = Standard Packing Quantity



$U_{RDC} = 400\text{ V}$; $U_{RAC} = 200\text{ V}/U_{p-p} = 560\text{ V}$; $C\text{-tol.} = \pm 5\%$

C (μF)	DIMENSIONS w x h x l (mm)	MASS (g) ⁽³⁾	CATALOG NUMBER MKP383 AND PACKAGING								
			LOOSE IN BOX					AMMOPACK ⁽¹⁾		REEL ⁽¹⁾⁽²⁾	
			SHORT LEADS			LONG LEADS		H = 18.5 mm P ₀ = 12.7 mm		H = 18.5 mm P ₀ = 12.7 mm	
			$l_t = 3.5\text{ mm}$ + 1 mm/- 0.5 mm	$l_t = 5.0\text{ mm}$ $\pm 1.0\text{ mm}$	SPQ	$l_t = 25.0\text{ mm}$ $\pm 2.0\text{ mm}$	SPQ		SPQ		SPQ
PITCH = 10 mm \pm 0.4 mm; $d_t = 0.60\text{ mm} \pm 0.06\text{ mm}$											
0.010	4.0 x 10.0 x 12.5	0.6	310040JDA2B0	310040JDM2B0	1000	310040JDI2B0	1250	310040JD02G0	950	310040JD02W0	1400
0.011			311040JDA2B0	311040JDM2B0		311040JDI2B0		311040JD02G0		311040JD02W0	
0.012			312040JDA2B0	312040JDM2B0		312040JDI2B0		312040JD02G0		312040JD02W0	
0.013			313040JDA2B0	313040JDM2B0		313040JDI2B0		313040JD02G0		313040JD02W0	
0.015			315040JDA2B0	315040JDM2B0		315040JDI2B0		315040JD02G0		315040JD02W0	
0.016			316040JDA2B0	316040JDM2B0		316040JDI2B0		316040JD02G0		316040JD02W0	
0.018			318040JDA2B0	318040JDM2B0		318040JDI2B0		318040JD02G0		318040JD02W0	
0.020			320040JDA2B0	320040JDM2B0		320040JDI2B0		320040JD02G0		320040JD02W0	
0.022			322040JDA2B0	322040JDM2B0		322040JDI2B0		322040JD02G0		322040JD02W0	
0.024			324040JDA2B0	324040JDM2B0		324040JDI2B0		324040JD02G0		324040JD02W0	
0.027	5.0 x 11.0 x 12.5	0.82	327040JDA2B0	327040JDM2B0	1000	327040JDI2B0	1000	327040JD02G0	750	327040JD02W0	1000
0.030			330040JDA2B0	330040JDM2B0		330040JDI2B0		330040JD02G0		330040JD02W0	
0.033	6.0 x 12.0 x 12.5	1.1	333040JDA2B0	333040JDM2B0	750	333040JDI2B0	750	333040JD02G0	600	333040JD02W0	900
0.036			336040JDA2B0	336040JDM2B0		336040JDI2B0		336040JD02G0		336040JD02W0	
0.039			339040JDA2B0	339040JDM2B0		339040JDI2B0		339040JD02G0		339040JD02W0	
0.043			343040JDA2B0	343040JDM2B0		343040JDI2B0		343040JD02G0		343040JD02W0	

Notes

- (1) Reel diameter = 356 mm is available on request.
- (2) H = In-tape height; P₀ = Sprocket hole distance; for detailed specifications refer to packaging information www.vishay.com/doc?28139
- (3) Weight for short lead product only
SPQ = Standard Packing Quantity

$U_{RDC} = 400\text{ V}$; $U_{RAC} = 200\text{ V}/U_{p-p} = 560\text{ V}$; $C\text{-tol.} = \pm 5\%$

C (μF)	DIMENSIONS w x h x l (mm)	MASS (g) ⁽³⁾	CATALOG NUMBER MKP383 AND PACKAGING						
			LOOSE IN BOX				REEL ⁽¹⁾⁽²⁾		
			SHORT LEADS			LONG LEADS		H = 18.5 mm P ₀ = 12.7 mm	
			$l_t = 3.5\text{ mm}$ $\pm 0.3\text{ mm}$	$l_t = 5.0\text{ mm}$ $\pm 1.0\text{ mm}$	SPQ	$l_t = 25.0\text{ mm}$ $\pm 2.0\text{ mm}$	SPQ		SPQ
PITCH = 15 mm \pm 0.4 mm; $d_t = 0.60\text{ mm} \pm 0.06\text{ mm}$									
0.047	5.0 x 11.0 x 17.5	1.1	347040JFP2B0	347040JFM2B0	1250	347040JFI2B0	1000	347040JF02W0	1100
0.051			351040JFP2B0	351040JFM2B0		351040JFI2B0		351040JF02W0	
0.056			356040JFP2B0	356040JFM2B0		356040JFI2B0		356040JF02W0	
0.062	6.0 x 12.0 x 17.5	1.4	362040JFP2B0	362040JFM2B0	1000	362040JFI2B0	1000	362040JF02W0	900
0.068			368040JFP2B0	368040JFM2B0		368040JFI2B0		368040JF02W0	
0.075			375040JFP2B0	375040JFM2B0		375040JFI2B0		375040JF02W0	
0.082			382040JFP2B0	382040JFM2B0		382040JFI2B0		482025JF02W0	
PITCH = 15 mm \pm 0.4 mm; $d_t = 0.80\text{ mm} \pm 0.08\text{ mm}$									
0.091	7.0 x 13.5 x 17.5	1.8	391040JFP2B0	391040JFM2B0	750	391040JFI2B0	500	391040JF02W0	800
0.100			410040JFP2B0	410040JFM2B0		410040JFI2B0		410040JF02W0	
0.110			411040JFP2B0	411040JFM2B0		411040JFI2B0		411040JF02W0	
0.120	8.5 x 15.0 x 17.5	2.5	412040JFP2B0	412040JFM2B0	750	412040JFI2B0	500	412040JF02W0	650
0.130			413040JFP2B0	413040JFM2B0		413040JFI2B0		413040JF02W0	
0.150			415040JFP2B0	415040JFM2B0		415040JFI2B0		415040JF02W0	
0.160			416040JFP2B0	416040JFM2B0		416040JFI2B0		416040JF02W0	
0.180			418040JFP2B0	418040JFM2B0		418040JFI2B0		418040JF02W0	
0.200	10.0 x 16.5 x 17.5	3.3	420040JFP2B0	420040JFM2B0	500	420040JFI2B0	450	420040JF02W0	600
0.220			422040JFP2B0	422040JFM2B0		422040JFI2B0		422040JF02W0	

Notes

- (1) Reel diameter = 356 mm is available on request.
- (2) H = in-tape height; P₀ = sprocket hole distance; for detailed specifications refer to packaging information www.vishay.com/doc?28139
- (3) Weight for short lead product only
SPQ = Standard Packing Quantity



$U_{RDC} = 400\text{ V}$; $U_{RAC} = 200\text{ V}/U_{p-p} = 560\text{ V}$; $C\text{-tol.} = \pm 5\%$

C (μF)	DIMENSIONS w x h x l (mm)	MASS (g) ⁽³⁾	CATALOG NUMBER MKP383 AND PACKAGING						
			LOOSE IN BOX					REEL (500 mm) ⁽¹⁾⁽²⁾	
			SHORT LEADS			LONG LEADS		H = 18.5 mm P ₀ = 12.7 mm	
			$l_t = 3.5\text{ mm} \pm 0.3\text{ mm}$	$l_t = 5.0\text{ mm} \pm 1.0\text{ mm}$	SPQ	$l_t = 25.0\text{ mm} \pm 2.0\text{ mm}$	SPQ		SPQ
PITCH = 22.5 mm \pm 0.4 mm; $d_t = 0.80\text{ mm} \pm 0.08\text{ mm}$									
0.24	7.0 x 16.5 x 26.0	3.5	424040JIP2T0	424040JIM2T0	200	424040JII2B0	250	424040JI02W0	500
0.27	8.5 x 18.0 x 26.0	4.2	427040JIP2T0	427040JIM2T0	200	427040JII2B0	250	427040JI02W0	450
0.30			430040JIP2T0	430040JIM2T0		430040JII2B0		430040JI02W0	
0.33			433040JIP2T0	433040JIM2T0		433040JII2B0		433040JI02W0	
0.36	10.0 x 19.5 x 26.0	5.3	436040JIP2T0	436040JIM2T0	200	436040JII2B0	200	436040JI02W0	350
0.39			439040JIP2T0	439040JIM2T0		439040JII2B0		439040JI02W0	
0.43			443040JIP2T0	443040JIM2T0		443040JII2B0		443040JI02W0	

Notes

- (1) Reel diameter = 356 mm is available on request.
- (2) H = In-tape height; P₀ = Sprocket hole distance; for detailed specifications refer to packaging information www.vishay.com/doc?28139
- (3) Weight for short lead product only
SPQ = Standard Packing Quantity

$U_{RDC} = 400\text{ V}$; $U_{RAC} = 200\text{ V}/U_{p-p} = 560\text{ V}$; $C\text{-tol.} = \pm 5\%$

C (μF)	DIMENSIONS w x h x l (mm)	MASS (g) ⁽¹⁾	CATALOG NUMBER MKP383 AND PACKAGING				
			LOOSE IN BOX				
			SHORT LEADS			LONG LEADS	
			$l_t = 3.5\text{ mm} \pm 0.3\text{ mm}$	$l_t = 5.0\text{ mm} \pm 1.0\text{ mm}$	SPQ	$l_t = 25.0\text{ mm} \pm 2.0\text{ mm}$	SPQ
PITCH = 27.5 mm \pm 0.4 mm; $d_t = 0.80\text{ mm} \pm 0.08\text{ mm}$							
0.47	11.0 x 21.0 x 31.0	8.0	447040JKP2T0	447040JKM2T0	100	447040JKI2B0	125
0.51			451040JKP2T0	451040JKM2T0		451040JKI2B0	
0.56			456040JKP2T0	456040JKM2T0		456040JKI2B0	
0.62			462040JKP2T0	462040JKM2T0		462040JKI2B0	
0.68	13.0 x 23.0 x 31.0	9.7	468040JKP2T0	468040JKM2T0	100	468040JKI2B0	125
0.75			475040JKP2T0	475040JKM2T0		475040JKI2B0	
0.82			482040JKP2T0	482040JKM2T0		482040JKI2B0	
0.91	15.0 x 25.0 x 31.5	12.6	491040JKP2T0	491040JKM2T0	100	491040JKI2B0	125
1.00			510040JKP2T0	510040JKM2T0		510040JKI2B0	
1.10			511040JKP2T0	511040JKM2T0		511040JKI2B0	
1.20	18.0 x 28.0 x 31.5	16.3	512040JKP2T0	512040JKM2T0	100	512040JKI2B0	100
1.30			513040JKP2T0	513040JKM2T0		513040JKI2B0	
1.50			515040JKP2T0	515040JKM2T0		515040JKI2B0	

Note

- (1) Weight for short lead product only
SPQ = Standard Packing Quantity



SPECIFIC REFERENCE DATA - 630 V _{DC}	
DESCRIPTION	VALUE
Rated voltage pulse slope (dU/dt) _R	
Pitch = 7.5 mm	4500 V/μs
Pitch = 10 mm	2150 V/μs
Pitch = 15 mm (W < 6 mm)	700 V/μs
Pitch = 15 mm (W > 6 mm)	1400 V/μs
Pitch = 22.5 mm	470 V/μs
Pitch = 27.5 mm (W < 15 mm)	300 V/μs
Pitch = 27.5 mm (W > 15 mm)	210 V/μs
Pitch = 37.5 mm	75 V/μs
R between leads, for C ≤ 1 μF at 500 V; 1 min	> 100 000 MΩ
RC between leads, for C > 1 μF at 500 V; 1 min	> 100 000 s
R between leads and case; 100 V; 1 min	> 30 000 MΩ
Ionization (AC) voltage (typical value) at 50 pC peak discharge	> 440 V
Withstanding (DC) voltage (cut off current 10 mA) ⁽¹⁾ ; rise time ≤ 1000 V/s	1008 V; 1 min
Withstanding (DC) voltage between leads and case	2840 V; 1 min
Maximum application temperature	105 °C

Note

⁽¹⁾ See "Voltage Proof Test for Metalized Film Capacitors": www.vishay.com/doc?28169

TANGENT OF LOSS ANGLE - 630 V _{DC}		
DESCRIPTION	VALUE	
	10 kHz	100 kHz
0.00047 μF < C ≤ 0.15 μF	≤ 10 x 10 ⁻⁴	≤ 15 x 10 ⁻⁴
0.15 μF < C ≤ 0.22 μF	≤ 10 x 10 ⁻⁴	≤ 25 x 10 ⁻⁴
0.22 μF < C ≤ 0.3 μF	≤ 10 x 10 ⁻⁴	≤ 30 x 10 ⁻⁴
0.3 μF < C ≤ 0.47 μF	≤ 10 x 10 ⁻⁴	≤ 40 x 10 ⁻⁴
0.47 μF < C ≤ 0.68 μF	≤ 10 x 10 ⁻⁴	≤ 45 x 10 ⁻⁴
0.68 μF < C ≤ 1.0 μF	≤ 10 x 10 ⁻⁴	≤ 50 x 10 ⁻⁴
1.0 μF < C ≤ 1.5 μF	≤ 10 x 10 ⁻⁴	≤ 65 x 10 ⁻⁴
1.5 μF < C ≤ 4.7 μF	≤ 20 x 10 ⁻⁴	-



$U_{RDC} = 630 \text{ V}$; $U_{RAC} = 220 \text{ V}/U_{p-p} = 630 \text{ V}$; $C\text{-tol.} = \pm 5 \%$

C (μF)	DIMENSIONS w x h x l (mm)	MASS (g) ⁽³⁾	CATALOG NUMBER MKP383 AND PACKAGING								
			LOOSE IN BOX				AMMOPACK ⁽¹⁾		REEL ⁽¹⁾⁽²⁾		
			SHORT LEADS			LONG LEADS		H = 18.5 mm P ₀ = 12.7 mm		H = 18.5 mm P ₀ = 12.7 mm	
			$l_t = 3.5 \text{ mm}$ + 1 mm/- 0.5 mm	$l_t = 5.0 \text{ mm}$ $\pm 1.0 \text{ mm}$	SPQ	$l_t = 25.0 \text{ mm}$ $\pm 2.0 \text{ mm}$	SPQ		SPQ		SPQ
PITCH = 7.5 mm \pm 0.4 mm; $d_t = 0.6 \text{ mm} \pm 0.06 \text{ mm}$											
0.00047	3.0 x 8.5 x 10.0	0.45	147063JCA2B0	147063JCM2B0		147063JCI2B0		147063JC02G0		147063JC02W0	
0.00051			151063JCA2B0	151063JCM2B0		151063JCI2B0		151063JC02G0		151063JC02W0	
0.00056			156063JCA2B0	156063JCM2B0		156063JCI2B0		156063JC02G0		156063JC02W0	
0.00062			162063JCA2B0	162063JCM2B0		162063JCI2B0		162063JC02G0		162063JC02W0	
0.00068			168063JCA2B0	168063JCM2B0		168063JCI2B0		168063JC02G0		168063JC02W0	
0.00075			175063JCA2B0	175063JCM2B0		175063JCI2B0		175063JC02G0		175063JC02W0	
0.00082			182063JCA2B0	182063JCM2B0		182063JCI2B0		182063JC02G0		182063JC02W0	
0.00091			191063JCA2B0	191063JCM2B0		191063JCI2B0		191063JC02G0		191063JC02W0	
0.00100			210063JCA2B0	210063JCM2B0	2000	210063JCI2B0	1000	210063JC02G0	1250	210063JC02W0	1500
0.00110			211063JCA2B0	211063JCM2B0		211063JCI2B0		211063JC02G0		211063JC02W0	
0.00120			212063JCA2B0	212063JCM2B0		212063JCI2B0		212063JC02G0		212063JC02W0	
0.00130			213063JCA2B0	213063JCM2B0		213063JCI2B0		213063JC02G0		213063JC02W0	
0.00150			215063JCA2B0	215063JCM2B0		215063JCI2B0		215063JC02G0		215063JC02W0	
0.00160			216063JCA2B0	216063JCM2B0		216063JCI2B0		216063JC02G0		216063JC02W0	
0.00180			218063JCA2B0	218063JCM2B0		218063JCI2B0		218063JC02G0		218063JC02W0	
0.00200			220063JCA2B0	220063JCM2B0		220063JCI2B0		220063JC02G0		220063JC02W0	
0.00220			222063JCA2B0	222063JCM2B0		222063JCI2B0		222063JC02G0		222063JC02W0	
0.00240			5.0 x 10.5 x 10.3	0.8	224063JCA2B0	224063JCM2B0	1250	224063JCI2B0	1250	224063JC02G0	1000
0.00270	227063JCA2B0	227063JCM2B0			227063JCI2B0	227063JC02G0		227063JC02W0			

Notes

- (1) Reel diameter = 356 mm is available on request.
- (2) H = In-tape height; P₀ = Sprocket hole distance; for detailed specifications refer to packaging information www.vishay.com/doc?28139
- (3) Weight for short lead product only
SPQ = Standard Packing Quantity



Bent back pitch: 7.5 mm (only taped); $U_{RDC} = 630 V$; $U_{RAC} = 220 V/U_{p-p} = 630 V$; C-tol. = $\pm 5 \%$

C (μF)	DIMENSIONS w x h' x l (mm)	MASS (g) ⁽²⁾	CATALOG NUMBER MKP383 AND PACKAGING					
			AMMOPACK ⁽¹⁾		REEL (500 mm) ⁽¹⁾		REEL (356 mm) ⁽¹⁾	
			H = 16.0 mm P ₀ = 15.0 mm	SPQ	H = 16.0 mm P ₀ = 15.0 mm	SPQ	H = 16.0 mm P ₀ = 15.0 mm	SPQ
BENT BACK PITCH = 7.5 mm \pm 0.4 mm; d_t = 0.60 mm \pm 0.06 mm								
0.00068	4.0 x 12.0 x 12.5	0.6	168063JC02H0	1300	168063JC02R0	2000	-	-
0.00075			175063JC02H0		175063JC02R0			
0.00082			182063JC02H0		182063JC02R0			
0.00091			191063JC02H0		191063JC02R0			
0.00100			210063JC02H0		210063JC02R0			
0.00110			211063JC02H0		211063JC02R0			
0.00120			212063JC02H0		212063JC02R0			
0.00130			213063JC02H0		213063JC02R0			
0.00150			215063JC02H0		215063JC02R0			
0.00160			216063JC02H0		216063JC02R0			
0.00180			218063JC02H0		218063JC02R0			
0.00200			220063JC02H0		220063JC02R0			
0.00220			222063JC02H0		222063JC02R0			
0.00240			224063JC02H0		224063JC02R0			
0.00270			227063JC02H0		227063JC02R0			
0.00300			230063JC02H0		230063JC02R0			
0.00330			233063JC02H0		233063JC02R0			
0.00360			236063JC02H0		236063JC02R0			
0.00390			239063JC02H0		239063JC02R0			
0.00430			243063JC02H0		243063JC02R0			
0.00470			247063JC02H0		247063JC02R0			
0.00510			251063JC02H0		251063JC02R0			
0.00560			256063JC02H0		256063JC02R0			
0.00620			262063JC02H0		262063JC02R0			
0.00680			268063JC02H0		268063JC02R0			
0.00750	275063JC02H0	275063JC02R0						
0.00820	5.0 x 13.0 x 12.5	0.82	282063JC02H0	1000	282063JC02R0	1900	-	-
0.00910			291063JC02H0		291063JC02R0			
0.01000			310063JC02H0		310063JC02R0			
0.01100			311063JC02H0		311063JC02R0			
0.01200			312063JC02H0		312063JC02R0			
0.01300	6.0 x 14.0 x 12.5	1.1	313063JC02H0	850	313063JC02R0	1500	-	-
0.01500			315063JC02H0		315063JC02R0			
0.01600			316063JC02H0		316063JC02R0			
0.01800			318063JC02H0		318063JC02R0			



C (μ F)	DIMENSIONS w x h' x l (mm)	MASS (g) ⁽²⁾	CATALOG NUMBER MKP383 AND PACKAGING					
			AMMOPACK ⁽¹⁾		REEL (500 mm) ⁽¹⁾		REEL (356 mm) ⁽¹⁾	
			H = 16.0 mm P ₀ = 15.0 mm	SPQ	H = 16.0 mm P ₀ = 15.0 mm	SPQ	H = 16.0 mm P ₀ = 15.0 mm	SPQ
BENT BACK PITCH = 7.5 mm \pm 0.4 mm; d_t = 0.60 mm \pm 0.06 mm								
0.0200	5.0 x 13.0 x 17.5	1.1	-	-	320063JC02R0	950	320063JC02Z0	550
0.0220			-	-	322063JC02R0		322063JC02Z0	
0.0240			-	-	324063JC02R0		324063JC02Z0	
0.0270			-	-	327063JC02R0		327063JC02Z0	
0.0300			-	-	330063JC02R0		330063JC02Z0	
0.0330			-	-	333063JC02R0		333063JC02Z0	
0.0360			-	-	336063JC02R0		336063JC02Z0	
0.0390	6.0 x 14.0 x 12.5	1.4	-	-	339063JC02R0	800	339063JC02Z0	450
0.0430			-	-	343063JC02R0		343063JC02Z0	
0.0470			-	-	347063JC02R0		347063JC02Z0	
0.0510			-	-	351063JC02R0		351063JC02Z0	
0.0560			-	-	356063JC02R0		356063JC02Z0	
			-	-	-		-	
BENT BACK PITCH = 7.5 mm \pm 0.4 mm; d_t = 0.80 mm \pm 0.08 mm								
0.0620	7.0 x 15.5 x 17.5	1.8	-	-	362063JC02R0	700	362063JC02Z0	400
0.0680			-	-	368063JC02R0		368063JC02Z0	
0.0750			-	-	375063JC02R0		375063JC02Z0	
0.0820	8.5 x 17.0 x 17.5	2.5	-	-	382063JC02R0	550	382063JC02Z0	300
0.0910			-	-	391063JC02R0		391063JC02Z0	
0.1000			-	-	410063JC02R0		410063JC02Z0	
			-	-	411063JC02R0		411063JC02Z0	
0.1200	10.0 x 18.5 x 17.5	3.3	-	-	412063JC02R0	500	412063JC02Z0	250
0.1300			-	-	413063JC02R0		413063JC02Z0	
0.1500			-	-	415063JC02R0		415063JC02Z0	

Notes

⁽¹⁾ H = In-tape height; P₀ = Sprocket hole distance; for detailed specifications refer to packaging information www.vishay.com/doc?28139

⁽²⁾ Weight for short lead product only
SPQ = Standard Packing Quantity



$U_{RDC} = 630\text{ V}$; $U_{RAC} = 220\text{ V}$ / $U_{p-p} = 630\text{ V}$; $C\text{-tol.} = \pm 5\%$

C (μF)	DIMENSIONS w x h x l (mm)	MASS (g) ⁽³⁾	CATALOG NUMBER MKP383 AND PACKAGING								
			LOOSE IN BOX					AMMOPACK ⁽¹⁾		REEL ⁽¹⁾⁽²⁾	
			SHORT LEADS			LONG LEADS		H = 18.5 mm P ₀ = 12.7 mm		H = 18.5 mm P ₀ = 12.7 mm	
			$l_t = 3.5\text{ mm}$ + 1 mm/- 0.5 mm	$l_t = 5.0\text{ mm}$ $\pm 1.0\text{ mm}$	SPQ	$l_t = 25.0\text{ mm}$ $\pm 2.0\text{ mm}$	SPQ		SPQ		SPQ
PITCH = 10 mm \pm 0.4 mm; $d_t = 0.60\text{ mm} \pm 0.06\text{ mm}$											
0.00068	4.0 x 10.0 x 12.5	0.6	168063JDA2B0	168063JDM2B0	1000	168063JDI2B0	1250	168063JD02G0	950	168063JD02W0	1400
0.00075			175063JDA2B0	175063JDM2B0		175063JDI2B0		175063JD02G0		175063JD02W0	
0.00082			182063JDA2B0	182063JDM2B0		182063JDI2B0		182063JD02G0		182063JD02W0	
0.00091			191063JDA2B0	191063JDM2B0		191063JDI2B0		191063JD02G0		191063JD02W0	
0.00100			210063JDA2B0	210063JDM2B0		210063JDI2B0		210063JD02G0		210063JD02W0	
0.00110			211063JDA2B0	211063JDM2B0		211063JDI2B0		211063JD02G0		211063JD02W0	
0.00120			212063JDA2B0	212063JDM2B0		212063JDI2B0		212063JD02G0		212063JD02W0	
0.00130			213063JDA2B0	213063JDM2B0		213063JDI2B0		213063JD02G0		213063JD02W0	
0.00150			215063JDA2B0	215063JDM2B0		215063JDI2B0		215063JD02G0		215063JD02W0	
0.00160			216063JDA2B0	216063JDM2B0		216063JDI2B0		216063JD02G0		216063JD02W0	
0.00180			218063JDA2B0	218063JDM2B0		218063JDI2B0		218063JD02G0		218063JD02W0	
0.00200			220063JDA2B0	220063JDM2B0		220063JDI2B0		220063JD02G0		220063JD02W0	
0.00220			222063JDA2B0	222063JDM2B0		222063JDI2B0		222063JD02G0		222063JD02W0	
0.00240			224063JDA2B0	224063JDM2B0		224063JDI2B0		224063JD02G0		224063JD02W0	
0.00270			227063JDA2B0	227063JDM2B0		227063JDI2B0		227063JD02G0		227063JD02W0	
0.00300			230063JDA2B0	230063JDM2B0		230063JDI2B0		230063JD02G0		230063JD02W0	
0.00330			233063JDA2B0	233063JDM2B0		233063JDI2B0		233063JD02G0		233063JD02W0	
0.00360			236063JDA2B0	236063JDM2B0		236063JDI2B0		236063JD02G0		236063JD02W0	
0.00390			239063JDA2B0	239063JDM2B0		239063JDI2B0		239063JD02G0		239063JD02W0	
0.00430			243063JDA2B0	243063JDM2B0		243063JDI2B0		243063JD02G0		243063JD02W0	
0.00470	247063JDA2B0	247063JDM2B0	247063JDI2B0	247063JD02G0	247063JD02W0						
0.00510	251063JDA2B0	251063JDM2B0	251063JDI2B0	251063JD02G0	251063JD02W0						
0.00560	256063JDA2B0	256063JDM2B0	256063JDI2B0	256063JD02G0	256063JD02W0						
0.00620	262063JDA2B0	262063JDM2B0	262063JDI2B0	262063JD02G0	262063JD02W0						
0.00680	268063JDA2B0	268063JDM2B0	268063JDI2B0	268063JD02G0	268063JD02W0						
0.00750	275063JDA2B0	275063JDM2B0	275063JDI2B0	275063JD02G0	275063JD02W0						
0.00820	5.0 x 11.0 x 12.5	0.82	282063JDA2B0	282063JDM2B0	1000	282063JDI2B0	1000	282063JD02G0	750	282063JD02W0	1000
0.00910			291063JDA2B0	291063JDM2B0		291063JDI2B0		291063JD02G0		291063JD02W0	
0.01000			310063JDA2B0	310063JDM2B0		310063JDI2B0		310063JD02G0		310063JD02W0	
0.01100			311063JDA2B0	311063JDM2B0		311063JDI2B0		311063JD02G0		311063JD02W0	
0.01200	312063JDA2B0	312063JDM2B0	312063JDI2B0	312063JD02G0	312063JD02W0						
0.01300	6.0 x 12.0 x 12.5	1.1	313063JDA2B0	313063JDM2B0	750	313063JDI2B0	750	313063JD02G0	600	313063JD02W0	900
0.01500			315063JDA2B0	315063JDM2B0		315063JDI2B0		315063JD02G0		315063JD02W0	
0.01600			316063JDA2B0	316063JDM2B0		316063JDI2B0		316063JD02G0		316063JD02W0	
0.01800			318063JDA2B0	318063JDM2B0		318063JDI2B0		318063JD02G0		318063JD02W0	

Notes

- (1) Reel diameter = 356 mm is available on request.
- (2) H = In-tape height; P₀ = Sprocket hole distance; for detailed specifications refer to packaging information www.vishay.com/doc?28139
- (3) Weight for short lead product only
SPQ = Standard Packing Quantity



$U_{RDC} = 630 \text{ V}$; $U_{RAC} = 220 \text{ V}/U_{p-p} = 630 \text{ V}$; $C\text{-tol.} = \pm 5 \%$

C (μF)	DIMENSIONS w x h x l (mm)	MASS (g) ⁽³⁾	CATALOG NUMBER MKP383 AND PACKAGING						
			LOOSE IN BOX					REEL ⁽¹⁾⁽²⁾	
			SHORT LEADS			LONG LEADS		H = 18.5 mm P ₀ = 12.7 mm	
			$l_t = 3.5 \text{ mm} \pm 0.3 \text{ mm}$	$l_t = 5.0 \text{ mm} \pm 1.0 \text{ mm}$	SPQ	$l_t = 25.0 \text{ mm} \pm 2.0 \text{ mm}$	SPQ		SPQ
PITCH = 15 mm \pm 0.4 mm; $d_t = 0.60 \text{ mm} \pm 0.06 \text{ mm}$									
0.020	5.0 x 11.0 x 17.5	1.1	320063JFP2B0	320063JFM2B0	1250	320063JFI2B0	1000	320063JF02W0	1100
0.022			322063JFP2B0	322063JFM2B0		322063JFI2B0		322063JF02W0	
0.024			324063JFP2B0	324063JFM2B0		324063JFI2B0		324063JF02W0	
0.027			327063JFP2B0	327063JFM2B0		327063JFI2B0		327063JF02W0	
0.030			330063JFP2B0	330063JFM2B0		330063JFI2B0		330063JF02W0	
0.033			333063JFP2B0	333063JFM2B0		333063JFI2B0		333063JF02W0	
0.036			336063JFP2B0	336063JFM2B0		336063JFI2B0		336063JF02W0	
0.039	6.0 x 12.0 x 17.5	1.4	339063JFP2B0	339063JFM2B0	1000	339063JFI2B0	1000	339063JF02W0	900
0.043			343063JFP2B0	343063JFM2B0		343063JFI2B0		343063JF02W0	
0.047			347063JFP2B0	347063JFM2B0		347063JFI2B0		347063JF02W0	
0.051			351063JFP2B0	351063JFM2B0		351063JFI2B0		351063JF02W0	
0.056			356063JFP2B0	356063JFM2B0		356063JFI2B0		356063JF02W0	
PITCH = 15 mm \pm 0.4 mm; $d_t = 0.80 \text{ mm} \pm 0.08 \text{ mm}$									
0.062	7.0 x 13.5 x 17.5	1.8	362063JFP2B0	362063JFM2B0	750	362063JFI2B0	500	362063JF02W0	800
0.068			368063JFP2B0	368063JFM2B0		368063JFI2B0		368063JF02W0	
0.075			375063JFP2B0	375063JFM2B0		375063JFI2B0		375063JF02W0	
0.082	8.5 x 15.0 x 17.5	2.5	382063JFP2B0	382063JFM2B0	750	382063JFI2B0	500	382063JF02W0	650
0.091			391063JFP2B0	391063JFM2B0		391063JFI2B0		391063JF02W0	
0.100			410063JFP2B0	410063JFM2B0		410063JFI2B0		410063JF02W0	
0.110			411063JFP2B0	411063JFM2B0		411063JFI2B0		411063JF02W0	
0.120	10.0 x 16.5 x 17.5	3.3	412063JFP2B0	412063JFM2B0	500	412063JFI2B0	450	412063JF02W0	600
0.130			413063JFP2B0	413063JFM2B0		413063JFI2B0		413063JF02W0	
0.150			415063JFP2B0	415063JFM2B0		415063JFI2B0		415063JF02W0	

Notes

- (1) Reel diameter = 356 mm is available on request.
- (2) H = In-tape height; P₀ = Sprocket hole distance; for detailed specifications refer to packaging information www.vishay.com/doc?28139
- (3) Weight for short lead product only
SPQ = Standard Packing Quantity

$U_{RDC} = 630 \text{ V}$; $U_{RAC} = 220 \text{ V}/U_{p-p} = 630 \text{ V}$; $C\text{-tol.} = \pm 5 \%$

C (μF)	DIMENSIONS w x h x l (mm)	MASS (g) ⁽³⁾	CATALOG NUMBER MKP383 AND PACKAGING						
			LOOSE IN BOX					REEL (500 mm) ⁽¹⁾⁽²⁾	
			SHORT LEADS			LONG LEADS		H = 18.5 mm P ₀ = 12.7 mm	
			$l_t = 3.5 \text{ mm} \pm 0.3 \text{ mm}$	$l_t = 5.0 \text{ mm} \pm 1.0 \text{ mm}$	SPQ	$l_t = 25.0 \text{ mm} \pm 2.0 \text{ mm}$	SPQ		SPQ
PITCH = 22.5 mm \pm 0.4 mm; $d_t = 0.80 \text{ mm} \pm 0.08 \text{ mm}$									
0.16	8.5 x 18 x 26.0	4.2	416063JIP2T0	416063JIM2T0	200	416063JII2B0	250	416063JIO2W0	450
0.18			418063JIP2T0	418063JIM2T0		418063JII2B0		418063JIO2W0	
0.20			420063JIP2T0	420063JIM2T0		420063JII2B0		420063JIO2W0	
0.22			422063JIP2T0	422063JIM2T0		422063JII2B0		422063JIO2W0	
0.24	10.0 x 19.5 x 26.0	5.3	424063JIP2T0	424063JIM2T0	200	424063JII2B0	200	424063JIO2W0	350
0.27			427063JIP2T0	427063JIM2T0		427063JII2B0		427063JIO2W0	
0.30			430063JIP2T0	430063JIM2T0		430063JII2B0		430063JIO2W0	

Notes

- (1) Reel diameter = 356 mm is available on request.
- (2) H = In-tape height; P₀ = Sprocket hole distance; for detailed specifications refer to packaging information www.vishay.com/doc?28139
- (3) Weight for short lead product only
SPQ = Standard Packing Quantity



$U_{RDC} = 630\text{ V}$; $U_{RAC} = 220\text{ V}/U_{p-p} = 630\text{ V}$; $C\text{-tol.} = \pm 5\%$

C (μF)	DIMENSIONS w x h x l (mm)	MASS (g) ⁽¹⁾	CATALOG NUMBER MKP383 AND PACKAGING				
			LOOSE IN BOX				
			SHORT LEADS			LONG LEADS	
			$l_t = 3.5\text{ mm} \pm 0.3\text{ mm}$	$l_t = 5.0\text{ mm} \pm 1.0\text{ mm}$	SPQ	$l_t = 25.0\text{ mm} \pm 2.0\text{ mm}$	SPQ
PITCH = 27.5 mm \pm 0.4 mm; $d_t = 0.80\text{ mm} \pm 0.08\text{ mm}$							
0.33	11.0 x 21.0 x 31.0	8.0	433063JKP2T0	433063JKM2T0	100	433063JKI2B0	125
0.36			436063JKP2T0	436063JKM2T0		436063JKI2B0	
0.39			439063JKP2T0	439063JKM2T0		439063JKI2B0	
0.43			443063JKP2T0	443063JKM2T0		443063JKI2B0	
0.47	13.0 x 23.0 x 31.0	9.7	447063JKP2T0	447063JKM2T0	100	447063JKI2B0	125
0.51			451063JKP2T0	451063JKM2T0		451063JKI2B0	
0.56			456063JKP2T0	456063JKM2T0		456063JKI2B0	
0.62			462063JKP2T0	462063JKM2T0		462063JKI2B0	
0.68	15.0 x 25.0 x 31.5	12.6	468063JKP2T0	468063JKM2T0	100	468063JKI2B0	125
0.75			475063JKP2T0	475063JKM2T0		475063JKI2B0	
0.82			482063JKP2T0	482063JKM2T0		482063JKI2B0	
0.91	18.0 x 28.0 x 31.5	16.3	491063JKP2T0	491063JKM2T0	100	491063JKI2B0	100
1.00			510063JKP2T0	510063JKM2T0		510063JKI2B0	
1.10			511063JKP2T0	511063JKM2T0		511063JKI2B0	
1.20	21.0 x 31.0 x 31.0	20.3	512063JKP2T0	512063JKM2T0	50	512063JKI2B0	75
1.50			515063JKP2T0	515063JKM2T0		515063JKI2B0	

Note

⁽¹⁾ Weight for short lead product only
SPQ = Standard Packing Quantity

$U_{RDC} = 630\text{ V}$; $U_{RAC} = 220\text{ V}/U_{p-p} = 630\text{ V}$; $C\text{-tol.} = \pm 5\%$

C (μF)	DIMENSIONS w x h x l (mm)	MASS (g) ⁽¹⁾	CATALOG NUMBER MKP383 AND PACKAGING				
			LOOSE IN BOX				
			SHORT LEADS			LONG LEADS	
			$l_t = 3.5\text{ mm} \pm 0.3\text{ mm}$	$l_t = 5.0\text{ mm} \pm 1.0\text{ mm}$	SPQ	25.0 \pm 2.0 mm	SPQ
PITCH $P_1 = 37.5\text{ mm} \pm 0.5\text{ mm}$; $d_t = 1.0\text{ mm} \pm 0.10\text{ mm}$ TWO PIN VERSION							
1.6	18.5 x 32.5 x 43.0	33	516063JPP2T0	516063JPM2T0	60	516063JPI2T0	125
1.8			518063JPP2T0	518063JPM2T0		518063JPI2T0	
2.0			520063JPP2T0	520063JPM2T0		520063JPI2T0	
2.2			522063JPP2T0	522063JPM2T0		522063JPI2T0	
2.4	21.5 x 38.5 x 43.0	43	524063JPP2T0	524063JPM2T0	91	524063JPI2T0	91
2.7			527063JPP2T0	527063JPM2T0		527063JPI2T0	
3.0	24.0 x 44.0 x 42.0	55	530063JPP2T0	530063JPM2T0	77	530063JPI2T0	77
3.3			533063JPP2T0	533063JPM2T0		533063JPI2T0	
3.6			536063JPP2T0	536063JPM2T0		536063JPI2T0	
3.9			539063JPP2T0	539063JPM2T0		539063JPI2T0	
4.3	30.0 x 45.0 x 42.0	70	543063JPP2T0	543063JPM2T0	63	543063JPI2T0	63
4.7			547063JPP2T0	547063JPM2T0		547063JPI2T0	
PITCH $P_1 = 37.5\text{ mm} \pm 0.5\text{ mm}$; $P_2 = 10.2\text{ mm} \pm 0.5\text{ mm}$; $d_t = 1.0\text{ mm} \pm 0.10\text{ mm}$ FOUR PIN VERSION							
4.3	30.0 x 45.0 x 42.0	70	543063JPP4T0	543063JPM4T0	63	543063JPI4T0	63
4.7			547063JPP4T0	547063JPM4T0		547063JPI4T0	
PITCH $P_1 = 37.5\text{ mm} \pm 0.5\text{ mm}$; $P_2 = 20.3\text{ mm} \pm 0.5\text{ mm}$; $d_t = 1.0\text{ mm} \pm 0.10\text{ mm}$ FOUR PIN VERSION							
4.3	30.0 x 45.0 x 42.0	70	543063JPP5T0	543063JPM5T0	63	543063JPI5T0	63
4.7			547063JPP5T0	547063JPM5T0		547063JPI5T0	

Note

⁽¹⁾ Weight for short lead product only
SPQ = Standard Packing Quantity



SPECIFIC REFERENCE DATA - 1000 V _{DC}	
DESCRIPTION	VALUE
Rated voltage pulse slope (dU/dt) _R	
Pitch = 7.5 mm	4500 V/μs
Pitch = 10 mm	2150 V/μs
Pitch = 15 mm (W < 6 mm)	1700 V/μs
Pitch = 15 mm (W > 6 mm)	3300 V/μs
Pitch = 22.5 mm	1200 V/μs
Pitch = 27.5 mm (W < 15 mm)	700 V/μs
Pitch = 27.5 mm (W > 15 mm)	470 V/μs
Pitch = 37.5 mm	350 V/μs
R between leads, for C ≤ 1 μF at 500 V; 1 min	> 100 000 MΩ
RC between leads, for C > 1 μF at 100 V; 1 min	> 100 000 s
R between leads and case; 500 V; 1 min	> 30 000 MΩ
Ionization (AC) voltage (typical value) at 50 pC peak discharge	> 440 V
Withstanding (DC) voltage (cut off current 10 mA) ⁽¹⁾ ; rise time ≤ 1000 V/s:	1600 V; 1 min
Withstanding (DC) voltage between leads and case	2840 V; 1 min
Maximum application temperature	105 °C

Note

⁽¹⁾ See "Voltage Proof Test for Metalized Film Capacitors": www.vishay.com/doc?28169

TANGENT OF LOSS ANGLE - 1000 V _{DC}		
CAPACITANCE RANGE	VALUE	
	10 kHz	100 kHz
C ≤ 0.062 μF	≤ 10 x 10 ⁻⁴	≤ 15 x 10 ⁻⁴
0.062 μF < C ≤ 0.13 μF	≤ 10 x 10 ⁻⁴	≤ 20 x 10 ⁻⁴
0.13 μF < C ≤ 0.22 μF	≤ 10 x 10 ⁻⁴	≤ 25 x 10 ⁻⁴
0.22 μF < C ≤ 0.33 μF	≤ 10 x 10 ⁻⁴	≤ 30 x 10 ⁻⁴
0.33 μF < C ≤ 1.0 μF	≤ 10 x 10 ⁻⁴	≤ 40 x 10 ⁻⁴
1.0 μF < C ≤ 1.8 μF	≤ 10 x 10 ⁻⁴	-



Bent back pitch: 7.5 mm (only taped); $U_{RDC} = 1000\text{ V}$; $U_{RAC} = 350\text{ V}$ / $U_{p-p} = 1000\text{ V}$; C-tol. = $\pm 5\%$

C (μF)	DIMENSIONS w x h' x l (mm)	MASS (g) ⁽²⁾	CATALOG NUMBER MKP383 AND PACKAGING					
			AMMOPACK ⁽¹⁾		REEL (500 mm) ⁽¹⁾		REEL (356 mm) ⁽¹⁾	
			H = 16.0 mm P ₀ = 15.0 mm	SPQ	H = 16.0 mm P ₀ = 15.0 mm	SPQ	H = 16.0 mm P ₀ = 15.0 mm	SPQ
BENT BACK PITCH = 7.5 mm \pm 0.4 mm; d_t = 0.60 mm \pm 0.06 mm								
0.0043	5.0 x 13.0 x 17.5	1.1	-	-	243100JC02R0	950	243100JC02Z0	550
0.0047			-	-	247100JC02R0		247100JC02Z0	
0.0051			-	-	251100JC02R0		251100JC02Z0	
0.0056			-	-	256100JC02R0		256100JC02Z0	
0.0062			-	-	262100JC02R0		262100JC02Z0	
0.0068			-	-	268100JC02R0		268100JC02Z0	
0.0075			-	-	275100JC02R0		275100JC02Z0	
0.0082			-	-	282100JC02R0		282100JC02Z0	
0.0091			-	-	291100JC02R0		291100JC02Z0	
0.0100			-	-	310100JC02R0		310100JC02Z0	
0.0110			-	-	311100JC02R0		311100JC02Z0	
0.0120			-	-	312100JC02R0		312100JC02Z0	
0.0130			-	-	313100JC02R0		313100JC02Z0	
0.0150			-	-	315100JC02R0		315100JC02Z0	
0.0160			-	-	316100JC02R0		316100JC02Z0	
0.0180			6.0 x 14.0 x 17.5	1.4	-		-	
0.0200	-	-			320100JC02R0	320100JC02Z0		
0.0220	-	-			322100JC02R0	322100JC02Z0		
0.0240	-	-			324100JC02R0	324100JC02Z0		
BENT BACK PITCH = 7.5 mm \pm 0.4 mm; d_t = 0.80 mm \pm 0.08 mm								
0.0270	7.0 x 15.5 x 17.5	1.8	-	-	327100JC02R0	700	327100JC02Z0	400
0.0300			-	-	330100JC02R0		330100JC02Z0	
0.0330			-	-	333100JC02R0		333100JC02Z0	
0.0360	8.5 x 17.0 x 17.5	2.5	-	-	336100JC02R0	550	336100JC02Z0	300
0.0390			-	-	339100JC02R0		339100JC02Z0	
0.0430			-	-	343100JC02R0		343100JC02Z0	
0.0470			-	-	347100JC02R0		347100JC02Z0	
0.0510	10.0 x 18.5 x 17.5	3.3	-	-	351100JC02R0	500	351100JC02Z0	250
0.0560			-	-	356100JC02R0		356100JC02Z0	
0.0620			-	-	362100JC02R0		362100JC02Z0	

Notes

⁽¹⁾ H = In-tape height; P₀ = Sprocket hole distance; for detailed specifications refer to packaging information www.vishay.com/doc?28139

⁽²⁾ Weight for short lead product only
SPQ = Standard Packing Quantity



$U_{RDC} = 1000\text{ V}$; $U_{RAC} = 350\text{ V}$ / $U_{p-p} = 1000\text{ V}$; $C\text{-tol.} = \pm 5\%$

C (μF)	DIMENSIONS w x h x l (mm)	MASS (g) ⁽³⁾	CATALOG NUMBER MKP383 AND PACKAGING						
			LOOSE IN BOX					REEL ⁽¹⁾⁽²⁾	
			SHORT LEADS			LONG LEADS		H = 18.5 mm P ₀ = 12.7 mm	
			$l_t = 3.5\text{ mm} \pm 0.3\text{ mm}$	$l_t = 5.0\text{ mm} \pm 1.0\text{ mm}$	SPQ	$l_t = 25.0\text{ mm} \pm 2.0\text{ mm}$	SPQ		SPQ
PITCH = 15 mm \pm 0.4 mm; $d_t = 0.60\text{ mm} \pm 0.06\text{ mm}$									
0.0043	5.0 x 11.0 x 17.5	1.1	243100JFP2B0	243100JFM2B0	1250	243100JFI2B0	1000	243100JF02W0	1100
0.0047			247100JFP2B0	247100JFM2B0		247100JFI2B0		247100JF02W0	
0.0051			251100JFP2B0	251100JFM2B0		251100JFI2B0		251100JF02W0	
0.0056			256100JFP2B0	256100JFM2B0		256100JFI2B0		256100JF02W0	
0.0062			262100JFP2B0	262100JFM2B0		262100JFI2B0		262100JF02W0	
0.0068			268100JFP2B0	268100JFM2B0		268100JFI2B0		268100JF02W0	
0.0075			275100JFP2B0	275100JFM2B0		275100JFI2B0		275100JF02W0	
0.0082			282100JFP2B0	282100JFM2B0		282100JFI2B0		282100JF02W0	
0.0091			291100JFP2B0	291100JFM2B0		291100JFI2B0		291100JF02W0	
0.0100			310100JFP2B0	310100JFM2B0		310100JFI2B0		310100JF02W0	
0.0110			311100JFP2B0	311100JFM2B0		311100JFI2B0		311100JF02W0	
0.0120			312100JFP2B0	312100JFM2B0		312100JFI2B0		312100JF02W0	
0.0130			313100JFP2B0	313100JFM2B0		313100JFI2B0		313100JF02W0	
0.0150			315100JFP2B0	315100JFM2B0		315100JFI2B0		315100JF02W0	
0.0160			316100JFP2B0	316100JFM2B0		316100JFI2B0		316100JF02W0	
0.0180	6.0 x 12.0 x 17.5	1.4	318100JFP2B0	318100JFM2B0	1000	318100JFI2B0	1000	318100JF02W0	900
0.0200			320100JFP2B0	320100JFM2B0		320100JFI2B0		320100JF02W0	
0.0220			322100JFP2B0	322100JFM2B0		322100JFI2B0		322100JF02W0	
0.0240			324100JFP2B0	324100JFM2B0		324100JFI2B0		324100JF02W0	
PITCH = 15 mm \pm 0.4 mm; $d_t = 0.80\text{ mm} \pm 0.08\text{ mm}$									
0.0270	7.0 x 13.5 x 17.5	1.8	327100JFP2B0	327100JFM2B0	750	327100JFI2B0	500	327100JF02W0	800
0.0300			330100JFP2B0	330100JFM2B0		330100JFI2B0		330100JF02W0	
0.0330			333100JFP2B0	333100JFM2B0		333100JFI2B0		333100JF02W0	
0.0360	8.5 x 15.0 x 17.5	2.5	336100JFP2B0	336100JFM2B0	750	336100JFI2B0	500	336100JF02W0	650
0.0390			339100JFP2B0	339100JFM2B0		339100JFI2B0		339100JF02W0	
0.0430			343100JFP2B0	343100JFM2B0		343100JFI2B0		343100JF02W0	
0.0470			347100JFP2B0	347100JFM2B0		347100JFI2B0		347100JF02W0	
0.0510	10.0 x 16.5 x 17.5	3.3	351100JFP2B0	351100JFM2B0	500	351100JFI2B0	450	351100JF02W0	600
0.0560			356100JFP2B0	356100JFM2B0		356100JFI2B0		356100JF02W0	
0.0620			362100JFP2B0	362100JFM2B0		362100JFI2B0		362100JF02W0	

Notes

- (1) Reel diameter = 356 mm is available on request.
- (2) H = In-tape height; P₀ = Sprocket hole distance; for detailed specifications refer to packaging information www.vishay.com/doc?28139
- (3) Weight for short lead product only
SPQ = Standard Packing Quantity



$U_{RDC} = 1000\text{ V}$; $U_{RAC} = 350\text{ V}$ / $U_{p-p} = 1000\text{ V}$; $C\text{-tol.} = \pm 5\%$

C (μF)	DIMENSIONS w x h x l (mm)	MASS (g) ⁽³⁾	CATALOG NUMBER MKP383 AND PACKAGING						
			LOOSE IN BOX					REEL (500 mm) ⁽¹⁾⁽²⁾	
			SHORT LEADS			LONG LEADS		H = 18.5 mm P ₀ = 12.7 mm	
			$l_t = 3.5\text{ mm}$ $\pm 0.3\text{ mm}$	$l_t = 5.0\text{ mm}$ $\pm 1.0\text{ mm}$	SPQ	$l_t = 25.0\text{ mm}$ $\pm 2.0\text{ mm}$	SPQ		SPQ
PITCH = 22.5 mm \pm 0.4 mm; $d_t = 0.80\text{ mm} \pm 0.08\text{ mm}$									
0.068	7.0 x 16.5 x 26.0	3.0	368100JIP2T0	368100JIM2T0	200	368100JII2B0	250	368100JIO2W0	550
0.075	8.5 x 18.0 x 26.0	4.2	375100JIP2T0	375100JIM2T0	200	375100JII2B0	250	375100JIO2W0	450
0.082			382100JIP2T0	382100JIM2T0		382100JII2B0		382100JIO2W0	
0.091			391100JIP2T0	391100JIM2T0		391100JII2B0		391100JIO2W0	
0.100	10.0 x 19.5 x 26.0	5.3	410100JIP2T0	410100JIM2T0	200	410100JII2B0	200	410100JIO2W0	350
0.110			411100JIP2T0	411100JIM2T0		411100JII2B0		411100JIO2W0	
0.120			412100JIP2T0	412100JIM2T0		412100JII2B0		412100JIO2W0	
0.130			413100JIP2T0	413100JIM2T0		413100JII2B0		413100JIO2W0	

Notes

(1) Reel diameter = 356 mm is available on request.

(2) H = In-tape height; P₀ = Sprocket hole distance; for detailed specifications refer to packaging information www.vishay.com/doc?28139

(3) Weight for short lead product only
SPQ = Standard Packing Quantity

$U_{RDC} = 1000\text{ V}$; $U_{RAC} = 350\text{ V}$ / $U_{p-p} = 1000\text{ V}$; $C\text{-tol.} = \pm 5\%$

C (μF)	DIMENSIONS w x h x l (mm)	MASS (g) ⁽¹⁾	CATALOG NUMBER MKP383 AND PACKAGING				
			LOOSE IN BOX				
			SHORT LEADS			LONG LEADS	
			$l_t = 3.5\text{ mm}$ $\pm 0.3\text{ mm}$	$l_t = 5.0\text{ mm}$ $\pm 1.0\text{ mm}$	SPQ	$l_t = 25.0\text{ mm}$ $\pm 2.0\text{ mm}$	SPQ
PITCH = 27.5 mm \pm 0.4 mm; $d_t = 0.80\text{ mm} \pm 0.08\text{ mm}$							
0.15	11.0 x 21.0 x 31.0	8.0	415100JKP2T0	415100JKM2T0	100	415100JKI2B0	125
0.16			416100JKP2T0	416100JKM2T0		416100JKI2B0	
0.18			418100JKP2T0	418100JKM2T0		418100JKI2B0	
0.20	13.0 x 23.0 x 31.0	9.7	420100JKP2T0	420100JKM2T0	100	420100JKI2B0	125
0.22			422100JKP2T0	422100JKM2T0		422100JKI2B0	
0.24			424100JKP2T0	424100JKM2T0		424100JKI2B0	
0.27	15.0 x 25.0 x 31.5	12.6	427100JKP2T0	427100JKM2T0	100	427100JKI2B0	125
0.30			430100JKP2T0	430100JKM2T0		430100JKI2B0	
0.33			433100JKP2T0	433100JKM2T0		433100JKI2B0	
0.36	18.0 x 28.0 x 31.5	16.3	436100JKP2T0	436100JKM2T0	100	436100JKI2B0	100
0.39			439100JKP2T0	439100JKM2T0		439100JKI2B0	
0.43			443100JKP2T0	443100JKM2T0		443100JKI2B0	
0.47			447100JKP2T0	447100JKM2T0		447100JKI2B0	

Note

(1) Weight for short lead product only
SPQ = Standard Packing Quantity



$U_{RDC} = 1000\text{ V}$; $U_{RAC} = 350\text{ V}$ / $U_{p-p} = 1000\text{ V}$; $C\text{-tol.} = \pm 5\%$

C (μF)	DIMENSIONS w x h x l (mm)	MASS (g) ⁽¹⁾	CATALOG NUMBER MKP383 AND PACKAGING				
			LOOSE IN BOX				
			SHORT LEADS			LONG LEADS	
			$l_t = 3.5\text{ mm} \pm 0.3\text{ mm}$	$l_t = 5.0\text{ mm} \pm 1.0\text{ mm}$	SPQ	$l_t = 25.0\text{ mm} \pm 2.0\text{ mm}$	SPQ
PITCH $P_1 = 37.5\text{ mm} \pm 0.5\text{ mm}$; $d_t = 1.0\text{ mm} \pm 0.10\text{ mm}$; TWO PIN VERSION							
0.33	14.5 x 24.5 x 41.5		433100JPP2T0	433100JPM2T0	80	433100JPI2T0	175
0.36			436100JPP2T0	436100JPM2T0		436100JPI2T0	
0.39			439100JPP2T0	439100JPM2T0		439100JPI2T0	
0.43	16 x 28.5 x 41.5		443100JPP2T0	443100JPM2T0	70	443100JPI2T0	150
0.47			447100JPP2T0	447100JPM2T0		447100JPI2T0	
0.51	18 x 32.5 x 41		451100JPP2T0	451100JPM2T0	60	451100JPI2T0	125
0.56			456100JPP2T0	456100JPM2T0		456100JPI2T0	
0.62			462100JPP2T0	462100JPM2T0		462100JPI2T0	
0.68			468100JPP2T0	468100JPM2T0		468100JPI2T0	
0.75	18.5 x 35.5 x 43.0	33	475100JPP2T0	475100JPM2T0	105	475100JPI2T0	105
0.82			482100JPP2T0	482100JPM2T0		482100JPI2T0	
0.91	21.5 x 38.5 x 43.0	43	491100JPP2T0	491100JPM2T0	91	491100JPI2T0	91
1.00			510100JPP2T0	510100JPM2T0		510100JPI2T0	
1.10	24.0 x 44.0 x 42.0	55	511100JPP2T0	511100JPM2T0	77	511100JPI2T0	77
1.20			512100JPP2T0	512100JPM2T0		512100JPI2T0	
1.30	30.0 x 45.0 x 42.0	70	513100JPP2T0	513100JPM2T0	63	513100JPI2T0	63
1.50			515100JPP2T0	515100JPM2T0		515100JPI2T0	
1.60			516100JPP2T0	516100JPM2T0		516100JPI2T0	
1.80			518100JPP2T0	518100JPM2T0		518100JPI2T0	
PITCH $P_1 = 37.5\text{ mm} \pm 0.5\text{ mm}$; $P_2 = 10.2\text{ mm} \pm 0.5\text{ mm}$; $d_t = 1.0\text{ mm} \pm 0.10\text{ mm}$; FOUR PIN VERSION							
1.30	30.0 x 45.0 x 42.0	70	513100JPP4T0	513100JPM4T0	63	513100JPI4T0	63
1.50			515100JPP4T0	515100JPM4T0		515100JPI4T0	
1.60			516100JPP4T0	516100JPM4T0		516100JPI4T0	
1.80			518100JPP4T0	518100JPM4T0		518100JPI4T0	
PITCH $P_1 = 37.5\text{ mm} \pm 0.5\text{ mm}$; $P_2 = 20.3\text{ mm} \pm 0.5\text{ mm}$; $d_t = 1.0\text{ mm} \pm 0.10\text{ mm}$; FOUR PIN VERSION							
1.30	30.0 x 45.0 x 42.0	70	513100JPP5T0	513100JPM5T0	63	513100JPI5T0	63
1.50			515100JPP5T0	515100JPM5T0		515100JPI5T0	
1.60			516100JPP5T0	516100JPM5T0		516100JPI5T0	
1.80			518100JPP5T0	518100JPM5T0		518100JPI5T0	

Note

⁽¹⁾ Weight for short lead product only
 SPQ = Standard Packing Quantity



SPECIFIC REFERENCE DATA - 1400 V _{DC}	
DESCRIPTION	VALUE
Rated voltage pulse slope (dU/dt) _R	
Pitch = 15 mm (W < 6 mm)	8000 V/μs
Pitch = 15 mm (W > 6 mm)	15 000 V/μs
Pitch = 22.5 mm	4000 V/μs
Pitch = 27.5 mm (W < 15 mm)	2100 V/μs
Pitch = 27.5 mm (W > 15 mm)	1500 V/μs
Pitch = 37.5 mm	650 V/μs
R between leads, for C ≤ 1 μF at 500 V; 1 min	> 100 000 MΩ
RC between leads, for C > 1 μF at 100 V; 1 min	> 100 000 S
R between leads and case; 500 V; 1 min	> 30 000 MΩ
Ionization (AC) voltage (typical value) at 20 pC peak discharge	> 500 V
Withstanding (DC) voltage (cut off current 10 mA) ⁽¹⁾ ; rise time ≤ 1000 V/s	2240 V; 1 min
Withstanding (DC) voltage between leads and case	2840 V; 1 min
Maximum application temperature	105 °C

Note

(1) See "Voltage Proof Test for Metalized Film Capacitors": www.vishay.com/doc?28169

TANGENT OF LOSS ANGLE - 1400 V _{DC}		
DESCRIPTION	VALUE	
	10 kHz	100 kHz
CAPACITANCE RANGE		
C ≤ 0.016 μF	≤ 10 x 10 ⁻⁴	≤ 10 x 10 ⁻⁴
0.016 μF < C ≤ 0.039 μF	≤ 10 x 10 ⁻⁴	≤ 15 x 10 ⁻⁴
0.039 μF < C ≤ 0.13 μF	≤ 10 x 10 ⁻⁴	≤ 20 x 10 ⁻⁴
0.13 μF < C ≤ 0.20 μF	≤ 10 x 10 ⁻⁴	≤ 25 x 10 ⁻⁴
0.20 μF < C ≤ 0.68 μF	≤ 10 x 10 ⁻⁴	≤ 30 x 10 ⁻⁴



Bent back pitch: 7.5 mm (only taped); $U_{RDC} = 1400\text{ V}$; $U_{RAC} = 500\text{ V}$ / $U_{p-p} = 1400\text{ V}$; C-tol. = $\pm 5\%$

C (μF)	DIMENSIONS w x h' x l (mm)	MASS (g) ⁽²⁾	CATALOG NUMBER MKP383 AND PACKAGING					
			AMMOPACK ⁽¹⁾		REEL (500 mm) ⁽¹⁾		REEL (356 mm) ⁽¹⁾	
			H = 16.0 mm P ₀ = 15.0 mm	SPQ	H = 16.0 mm P ₀ = 15.0 mm	SPQ	H = 16.0 mm P ₀ = 15.0 mm	SPQ
BENT BACK PITCH = 7.5 mm \pm 0.4 mm; d_t = 0.60 mm \pm 0.06 mm								
0.0022	5.0 x 13.0 x 17.5	1.1	-	-	222140JC02R0	950	222140JC02Z0	550
0.0024			-		224140JC02R0		224140JC02Z0	
0.0027			-		227140JC02R0		227140JC02Z0	
0.0030			-		230140JC02R0		230140JC02Z0	
0.0033			-		233140JC02R0		233140JC02Z0	
0.0036			-		236140JC02R0		236140JC02Z0	
0.0039			-		239140JC02R0		239140JC02Z0	
0.0043	6.0 x 14.0 x 17.5	1.4	-	-	243140JC02R0	800	243140JC02Z0	450
0.0047			-		247140JC02R0		247140JC02Z0	
0.0051			-		251140JC02R0		251140JC02Z0	
0.0056			-		256140JC02R0		256140JC02Z0	
BENT BACK PITCH = 7.5 mm \pm 0.4 mm; d_t = 0.80 mm \pm 0.08 mm								
0.0062	7.0 x 15.5 x 17.5	1.8	-	-	262140JC02R0	700	262140JC02Z0	400
0.0068			-		268140JC02R0		268140JC02Z0	
0.0075			-		275140JC02R0		275140JC02Z0	
0.0082			-		282140JC02R0		282140JC02Z0	
0.0091	8.5 x 17.0 x 17.5	2.5	-	-	291140JC02R0	550	291140JC02Z0	300
0.0100			-		310140JC02R0		310140JC02Z0	
0.0110			-		311140JC02R0		311140JC02Z0	
0.0120			-		312140JC02R0		312140JC02Z0	
0.0130	10.0 x 18.5 x 17.5	3.3	-	-	313140JC02R0	500	313140JC02Z0	250
0.0150			-		315140JC02R0		315140JC02Z0	
0.0160			-		316140JC02R0		316140JC02Z0	

Notes

- ⁽¹⁾ H = In-tape height; P₀ = Sprocket hole distance; for detailed specifications refer to packaging information www.vishay.com/doc?28139
- ⁽²⁾ Weight for short lead product only
SPQ = Standard Packing Quantity



$U_{RDC} = 1400\text{ V}$; $U_{RAC} = 500\text{ V}$ / $U_{p-p} = 1400\text{ V}$; C-tol. = $\pm 5\%$

C (μF)	DIMENSIONS w x h x l (mm)	MASS (g) ⁽³⁾	CATALOG NUMBER MKP383 AND PACKAGING						
			LOOSE IN BOX				REEL ⁽¹⁾⁽²⁾		
			SHORT LEADS			LONG LEADS		H = 18.5 mm P ₀ = 12.7 mm	
			$l_t = 3.5\text{ mm}$ $\pm 0.3\text{ mm}$	$l_t = 5.0\text{ mm}$ $\pm 1.0\text{ mm}$	SPQ	$l_t = 25.0\text{ mm}$ $\pm 2.0\text{ mm}$	SPQ		SPQ
PITCH = 15 mm \pm 0.4 mm; d_t = 0.60 mm \pm 0.06 mm									
0.0022	5.0 x 11.0 x 17.5	1.1	222140JFP2B0	222140JFM2B0	1250	222140JFI2B0	1000	222140JF02W0	1100
0.0024			224140JFP2B0	224140JFM2B0		224140JFI2B0		224140JF02W0	
0.0027			227140JFP2B0	227140JFM2B0		227140JFI2B0		227140JF02W0	
0.0030			230140JFP2B0	230140JFM2B0		230140JFI2B0		230140JF02W0	
0.0033			233140JFP2B0	233140JFM2B0		233140JFI2B0		233140JF02W0	
0.0036			236140JFP2B0	236140JFM2B0		236140JFI2B0		236140JF02W0	
0.0039			239140JFP2B0	239140JFM2B0		239140JFI2B0		239140JF02W0	
0.0043	6.0 x 12.0 x 17.5	1.4	243140JFP2B0	243140JFM2B0	1000	243140JFI2B0	1000	243140JF02W0	900
0.0047			247140JFP2B0	247140JFM2B0		247140JFI2B0		247140JF02W0	
0.0051			251140JFP2B0	251140JFM2B0		251140JFI2B0		251140JF02W0	
0.0056			256140JFP2B0	256140JFM2B0		256140JFI2B0		256140JF02W0	
PITCH = 15 mm \pm 0.4 mm; d_t = 0.80 mm \pm 0.08 mm									
0.0062	7.0 x 13.5 x 17.5	1.8	262140JFP2B0	262140JFM2B0	750	262140JFI2B0	500	262140JF02W0	800
0.0068			268140JFP2B0	268140JFM2B0		268140JFI2B0		268140JF02W0	
0.0075			275140JFP2B0	275140JFM2B0		275140JFI2B0		275140JF02W0	
0.0082			282140JFP2B0	282140JFM2B0		282140JFI2B0		282140JF02W0	
0.0091	8.5 x 15.0 x 17.5	2.5	291140JFP2B0	291140JFM2B0	750	291140JFI2B0	500	291140JF02W0	650
0.0100			310140JFP2B0	310140JFM2B0		310140JFI2B0		310140JF02W0	
0.0110			311140JFP2B0	311140JFM2B0		311140JFI2B0		311140JF02W0	
0.0120			312140JFP2B0	312140JFM2B0		312140JFI2B0		312140JF02W0	
0.0130	10.0 x 16.5 x 17.5	3.3	313140JFP2B0	313140JFM2B0	500	313140JFI2B0	450	313140JF02W0	600
0.0150			315140JFP2B0	315140JFM2B0		315140JFI2B0		315140JF02W0	
0.0160			316140JFP2B0	316140JFM2B0		316140JFI2B0		316140JF02W0	

Notes

- (1) Reel diameter = 356 mm is available on request.
- (2) H = In-tape height; P₀ = Sprocket hole distance; for detailed specifications refer to packaging information www.vishay.com/doc?28139
- (3) Weight for short lead product only
SPQ = Standard Packing Quantity



$U_{RDC} = 1400\text{ V}$; $U_{RAC} = 350\text{ V}$ / $U_{p-p} = 1400\text{ V}$; C-tol. = $\pm 5\%$

C (μF)	DIMENSIONS w x h x l (mm)	MASS (g) ⁽³⁾	CATALOG NUMBER MKP383 AND PACKAGING						
			LOOSE IN BOX					REEL ⁽¹⁾⁽²⁾	
			SHORT LEADS			LONG LEADS		H = 18.5 mm P ₀ = 12.7 mm	
			$l_t = 3.5\text{ mm}$ $\pm 0.3\text{ mm}$	$l_t = 5.0\text{ mm}$ $\pm 1.0\text{ mm}$	SPQ	$l_t = 25.0\text{ mm}$ $\pm 2.0\text{ mm}$	SPQ		SPQ
PITCH = 22.5 mm \pm 0.4 mm; $d_t = 0.80\text{ mm} \pm 0.08\text{ mm}$									
0.018	7.0 x 16.5 x 26.0	3.0	318140JIP2T0	318140JIM2T0	200	318140JII2B0	250	318140JIO2W0	550
0.020			320140JIP2T0	320140JIM2T0		320140JII2B0		320140JIO2W0	
0.022	8.5 x 18.0 x 26.0	4.2	322140JIP2T0	322140JIM2T0	200	322140JII2B0	250	322140JIO2W0	450
0.024			324140JIP2T0	324140JIM2T0		324140JII2B0		324140JIO2W0	
0.027			327140JIP2T0	327140JIM2T0		327140JII2B0		327140JIO2W0	
0.030	10.0 x 19.5 x 26.0	5.3	330140JIP2T0	330140JIM2T0	200	330140JII2B0	200	330140JIO2W0	350
0.033			333140JIP2T0	333140JIM2T0		333140JII2B0		333140JIO2W0	
0.036			336140JIP2T0	336140JIM2T0		336140JII2B0		336140JIO2W0	
0.039			339140JIP2T0	339140JIM2T0		339140JII2B0		339140JIO2W0	

Notes

(1) Reel diameter = 356 mm is available on request.

(2) H = In-tape height; P₀ = Sprocket hole distance; for detailed specifications refer to packaging information www.vishay.com/doc?28139

(3) Weight for short lead product only
SPQ = Standard Packing Quantity

$U_{RDC} = 1400\text{ V}$; $U_{RAC} = 500\text{ V}$ / $U_{p-p} = 1400\text{ V}$; C-tol. = $\pm 5\%$

C (μF)	DIMENSIONS w x h x l (mm)	MASS (g) ⁽¹⁾	CATALOG NUMBER MKP383 AND PACKAGING				
			LOOSE IN BOX				
			SHORT LEADS			LONG LEADS	
			$l_t = 3.5\text{ mm}$ $\pm 0.3\text{ mm}$	$l_t = 5.0\text{ mm}$ $\pm 1.0\text{ mm}$	SPQ	$l_t = 25.0\text{ mm}$ $\pm 2.0\text{ mm}$	SPQ
PITCH = 27.5 mm \pm 0.4 mm; $d_t = 0.80\text{ mm} \pm 0.08\text{ mm}$							
0.043	11.0 x 21.0 x 31.0	8.0	343140JKP2T0	343140JKM2T0	100	343140JKI2B0	125
0.047			347140JKP2T0	347140JKM2T0		347140JKI2B0	
0.051			351140JKP2T0	351140JKM2T0		351140JKI2B0	
0.056			356140JKP2T0	356140JKM2T0		356140JKI2B0	
0.062	13.0 x 23.0 x 31.0	9.7	362140JKP2T0	362140JKM2T0	100	362140JKI2B0	125
0.068			368140JKP2T0	368140JKM2T0		368140JKI2B0	
0.075			375140JKP2T0	375140JKM2T0		375140JKI2B0	
0.082	15.0 x 25.0 x 31.5	12.6	382140JKP2T0	382140JKM2T0	100	382140JKI2B0	125
0.091			391140JKP2T0	391140JKM2T0		391140JKI2B0	
0.100			410140JKP2T0	410140JKM2T0		410140JKI2B0	
0.110	18.0 x 28.0 x 31.5	16.3	411140JKP2T0	411140JKM2T0	100	411140JKI2B0	100
0.120			412140JKP2T0	412140JKM2T0		412140JKI2B0	
0.130			413140JKP2T0	413140JKM2T0		413140JKI2B0	
0.150	21.0 x 31.0 x 31.0	20.3	415140JKP2T0	415140JKM2T0	50	415140JKI2B0	75
0.160			416140JKP2T0	416140JKM2T0		416140JKI2B0	
0.180			418140JKP2T0	418140JKM2T0		418140JKI2B0	
0.200			420140JKP2T0	420140JKM2T0		420140JKI2B0	

Note

(1) Weight for short lead product only
SPQ = Standard Packing Quantity



$U_{RDC} = 1400\text{ V}$; $U_{RAC} = 500\text{ V}$ / $U_{p-p} = 1400\text{ V}$; $C\text{-tol.} = \pm 5\%$

C (μF)	DIMENSIONS w x h x l (mm)	MASS (g) ⁽¹⁾	CATALOG NUMBER MKP383 AND PACKAGING				
			LOOSE IN BOX				
			SHORT LEADS			LONG LEADS	
			$l_t = 3.5\text{ mm}$ $\pm 0.3\text{ mm}$	$l_t = 5.0\text{ mm}$ $\pm 1.0\text{ mm}$	SPQ	$l_t = 25.0\text{ mm}$ $\pm 2.0\text{ mm}$	SPQ
PITCH $P_1 = 37.5\text{ mm} \pm 0.5\text{ mm}$; $d_t = 1.0\text{ mm} \pm 0.10\text{ mm}$; TWO PIN VERSION							
0.22	18.5 x 32.5 x 43.0	33	422140JPP2T0	422140JPM2T0	60	422140JPI2T0	125
0.24			424140JPP2T0	424140JPM2T0		424140JPI2T0	
0.27			427140JPP2T0	427140JPM2T0		427140JPI2T0	
0.30	21.5 x 38.5 x 43.0	43	430140JPP2T0	430140JPM2T0	91	430140JPI2T0	91
0.33			433140JPP2T0	433140JPM2T0		433140JPI2T0	
0.36			436140JPP2T0	436140JPM2T0		436140JPI2T0	
0.39			439140JPP2T0	439140JPM2T0		439140JPI2T0	
0.43	24.0 x 44.0 x 42.0	55	443140JPP2T0	443140JPM2T0	77	443140JPI2T0	77
0.47			447140JPP2T0	447140JPM2T0		447140JPI2T0	
0.51	30.0 x 45.0 x 42.0	70	451140JPP2T0	451140JPM2T0	63	451140JPI2T0	63
0.56			456140JPP2T0	456140JPM2T0		456140JPI2T0	
0.62			462140JPP2T0	462140JPM2T0		462140JPI2T0	
0.68			468140JPP2T0	468140JPM2T0		468140JPI2T0	
PITCH $P_1 = 37.5\text{ mm} \pm 0.5\text{ mm}$; $P_2 = 10.2\text{ mm} \pm 0.5\text{ mm}$; $d_t = 1.0\text{ mm} \pm 0.10\text{ mm}$; FOUR PIN VERSION							
0.51	30.0 x 45.0 x 42.0	70	451140JPP4T0	451140JPM4T0	63	451140JPI4T0	63
0.56			456140JPP4T0	456140JPM4T0		456140JPI4T0	
0.62			462140JPP4T0	462140JPM4T0		462140JPI4T0	
0.68			468140JPP4T0	468140JPM4T0		468140JPI4T0	
PITCH $P_1 = 37.5\text{ mm} \pm 0.5\text{ mm}$; $P_2 = 20.3\text{ mm} \pm 0.5\text{ mm}$; $d_t = 1.0\text{ mm} \pm 0.10\text{ mm}$; FOUR PIN VERSION							
0.51	30.0 x 45.0 x 42.0	70	451140JPP5T0	451140JPM5T0	63	451140JPI5T0	63
0.56			456140JPP5T0	456140JPM5T0		456140JPI5T0	
0.62			462140JPP5T0	462140JPM5T0		462140JPI5T0	
0.68			468140JPP5T0	468140JPM5T0		468140JPI5T0	

Note

⁽¹⁾ Weight for short lead product only
SPQ = Standard Packing Quantity



SPECIFIC REFERENCE DATA - 1600 V _{DC}	
DESCRIPTION	VALUE
Rated voltage pulse slope (dU/dt) _R	
Pitch = 15 mm (W < 6 mm)	8000 V/μs
Pitch = 15 mm (W > 6 mm)	15 000 V/μs
Pitch = 22.5 mm	3100 V/μs
Pitch = 27.5 mm (W < 15 mm)	1800 V/μs
Pitch = 27.5 mm (W > 15 mm)	1200 V/μs
Pitch = 37.5 mm	750 V/μs
R between leads, for C ≤ 1 μF at 500 V; 1 min	> 100 000 MΩ
RC between leads, for C > 1 μF at 500 V; 1 min	> 100 000 s
R between leads and case; 500 V; 1 min	> 30 000 MΩ
Ionization (AC) voltage (typical value) at 20 pC peak discharge	> 660 V
Withstanding (DC) voltage (cut off current 10 mA) ⁽¹⁾ ; rise time ≤ 1000 V/s:	2560 V; 1 min
Withstanding (DC) voltage between leads and case	2840 V; 1 min
Maximum application temperature	105 °C

Note

(1) See "Voltage Proof Test for Metalized Film Capacitors": www.vishay.com/doc?28169

TANGENT OF LOSS ANGLE - 1600 V _{DC}		
DESCRIPTION	VALUE	
	10 kHz	100 kHz
CAPACITANCE RANGE		
C ≤ 0.015 μF	≤ 10 x 10 ⁻⁴	≤ 15 x 10 ⁻⁴
0.015 μF < C ≤ 0.15 μF	≤ 10 x 10 ⁻⁴	≤ 20 x 10 ⁻⁴
0.015 μF < C ≤ 0.56 μF	≤ 10 x 10 ⁻⁴	≤ 30 x 10 ⁻⁴



Bent back pitch: 7.5 mm (only taped); $U_{RDC} = 1600\text{ V}$; $U_{RAC} = 550\text{ V}$ / $U_{p-p} = 1600\text{ V}$; C-tol. = $\pm 5\%$

C (μF)	DIMENSIONS w x h' x l (mm)	MASS (g) ⁽²⁾	CATALOG NUMBER MKP383 AND PACKAGING					
			AMMOPACK ⁽¹⁾		REEL (500 mm) ⁽¹⁾		REEL (356 mm) ⁽¹⁾	
			H = 16.0 mm P ₀ = 15.0 mm	SPQ	H = 16.0 mm P ₀ = 15.0 mm	SPQ	H = 16.0 mm P ₀ = 15.0 mm	SPQ
BENT BACK PITCH = 7.5 mm \pm 0.4 mm; d_t = 0.60 mm \pm 0.06 mm								
0.0027	5.0 x 13.0 x 17.5	1.1	-	-	227160JC02R0	950	227160JC02Z0	550
0.0030			-		230160JC02R0		230160JC02Z0	
0.0033			-		233160JC02R0		233160JC02Z0	
0.0036			-		236160JC02R0		236160JC02Z0	
0.0039			-		239160JC02R0		239160JC02Z0	
0.0043	6.0 x 14.0 x 17.5	1.4	-	-	243160JC02R0	800	243160JC02Z0	450
0.0047			-		247160JC02R0		247160JC02Z0	
0.0051			-		251160JC02R0		251160JC02Z0	
0.0056			-		256160JC02R0		256160JC02Z0	
BENT BACK PITCH = 7.5 mm \pm 0.4 mm; d_t = 0.80 mm \pm 0.08 mm								
0.0062	7.0 x 15.5 x 17.5	1.8	-	-	262160JC02R0	700	262160JC02Z0	400
0.0068			-		268160JC02R0		268160JC02Z0	
0.0075			-		275160JC02R0		275160JC02Z0	
0.0082	8.5 x 17.0 x 17.5	2.5	-	-	282160JC02R0	550	282160JC02Z0	300
0.0091			-		291160JC02R0		291160JC02Z0	
0.0100			-		310160JC02R0		310160JC02Z0	
0.0110			-		311160JC02R0		311160JC02Z0	
0.0120	10.0 x 18.5 x 17.5	3.3	-	-	312160JC02R0	500	312160JC02Z0	250
0.0130			-		313160JC02R0		313160JC02Z0	
0.0150			-		315160JC02R0		315160JC02Z0	

Notes

⁽¹⁾ H = In-tape height; P₀ = Sprocket hole distance; for detailed specifications refer to packaging information www.vishay.com/doc?28139

⁽²⁾ Weight for short lead product only
SPQ = Standard Packing Quantity



$U_{RDC} = 1600\text{ V}$; $U_{RAC} = 550\text{ V}$ / $U_{p-p} = 1600\text{ V}$; $C\text{-tol.} = \pm 5\%$

C (μF)	DIMENSIONS w x h x l (mm)	MASS (g) ⁽³⁾	CATALOG NUMBER MKP383 AND PACKAGING						
			LOOSE IN BOX				REEL ⁽¹⁾⁽²⁾		
			SHORT LEADS			LONG LEADS		H = 18.5 mm P ₀ = 12.7 mm	
			$l_t = 3.5\text{ mm} \pm 0.3\text{ mm}$	$l_t = 5.0\text{ mm} \pm 1.0\text{ mm}$	SPQ	$l_t = 25.0\text{ mm} \pm 2.0\text{ mm}$	SPQ		SPQ
PITCH = 15 mm \pm 0.4 mm; $d_t = 0.60\text{ mm} \pm 0.06\text{ mm}$									
0.0027	5.0 x 11.0 x 17.5	1.1	227160JFP2B0	227160JFM2B0	1250	227160JFI2B0	1000	227160JF02W0	1100
0.0030			230160JFP2B0	230160JFM2B0		230160JFI2B0		230160JF02W0	
0.0033			233160JFP2B0	233160JFM2B0		233160JFI2B0		233160JF02W0	
0.0036			236160JFP2B0	236160JFM2B0		236160JFI2B0		236160JF02W0	
0.0039			239160JFP2B0	239160JFM2B0		239160JFI2B0		239160JF02W0	
0.0043	6.0 x 12.0 x 17.5	1.4	243160JFP2B0	243160JFM2B0	1000	243160JFI2B0	1000	243160JF02W0	900
0.0047			247160JFP2B0	247160JFM2B0		247160JFI2B0		247160JF02W0	
0.0051			251160JFP2B0	251160JFM2B0		251160JFI2B0		251160JF02W0	
0.0056			256160JFP2B0	256160JFM2B0		256160JFI2B0		256160JF02W0	
PITCH = 15 mm \pm 0.4 mm; $d_t = 0.80\text{ mm} \pm 0.08\text{ mm}$									
0.0062	7.0 x 13.5 x 17.5	1.8	262160JFP2B0	262160JFM2B0	750	262160JFI2B0	500	262160JF02W0	800
0.0068			268160JFP2B0	268160JFM2B0		268160JFI2B0		268160JF02W0	
0.0075			275160JFP2B0	275160JFM2B0		275160JFI2B0		275160JF02W0	
0.0082	8.5 x 15.0 x 17.5	2.5	282160JFP2B0	282160JFM2B0	750	282160JFI2B0	500	282160JF02W0	650
0.0091			291160JFP2B0	291160JFM2B0		291160JFI2B0		291160JF02W0	
0.0100			310160JFP2B0	310160JFM2B0		310160JFI2B0		310160JF02W0	
0.0110			311160JFP2B0	311160JFM2B0		311160JFI2B0		311160JF02W0	
0.0120	10.0 x 16.5 x 17.5	3.3	312160JFP2B0	312160JFM2B0	500	312160JFI2B0	450	312160JF02W0	600
0.0130			313160JFP2B0	313160JFM2B0		313160JFI2B0		313160JF02W0	
0.0150			315160JFP2B0	315160JFM2B0		315160JFI2B0		315160JF02W0	

Notes

- (1) Reel diameter = 356 mm is available on request.
- (2) H = In-tape height; P₀ = Sprocket hole distance; for detailed specifications refer to packaging information www.vishay.com/doc?28139
- (3) Weight for short lead product only
SPQ = Standard Packing Quantity

$U_{RDC} = 1600\text{ V}$; $U_{RAC} = 550\text{ V}$ / $U_{p-p} = 1600\text{ V}$; $C\text{-tol.} = \pm 5\%$

C (μF)	DIMENSIONS w x h x l (mm)	MASS (g) ⁽³⁾	CATALOG NUMBER MKP383 AND PACKAGING						
			LOOSE IN BOX				REEL ⁽¹⁾⁽²⁾		
			SHORT LEADS			LONG LEADS		H = 18.5 mm P ₀ = 12.7 mm	
			$l_t = 3.5\text{ mm} \pm 0.3\text{ mm}$	$l_t = 5.0\text{ mm} \pm 1.0\text{ mm}$	SPQ	$l_t = 25.0\text{ mm} \pm 2.0\text{ mm}$	SPQ		SPQ
PITCH = 22.5 mm \pm 0.4 mm; $d_t = 0.80\text{ mm} \pm 0.08\text{ mm}$									
0.016	7.0 x 16.5 x 26.0	3.0	316160JIP2T0	316160JIM2T0	200	316160JII2B0	250	316160JIO2W0	550
0.018			318160JIP2T0	318160JIM2T0		318160JII2B0		318160JIO2W0	
0.020			320160JIP2T0	320160JIM2T0		320160JII2B0		320160JIO2W0	
0.022	8.5 x 18.0 x 26.0	4.2	322160JIP2T0	322160JIM2T0	200	322160JII2B0	250	322160JIO2W0	450
0.024			324160JIP2T0	324160JIM2T0		324160JII2B0		324160JIO2W0	
0.027			327160JIP2T0	327160JIM2T0		327160JII2B0		327160JIO2W0	
0.030	10.0 x 19.5 x 26.0	5.3	330160JIP2T0	330160JIM2T0	200	330160JII2B0	200	330160JIO2W0	350
0.033			333160JIP2T0	333160JIM2T0		333160JII2B0		333160JIO2W0	
0.036			336160JIP2T0	336160JIM2T0		336160JII2B0		336160JIO2W0	
0.039			339160JIP2T0	339160JIM2T0		339160JII2B0		339160JIO2W0	

Notes

- (1) Reel diameter = 356 mm is available on request.
- (2) H = In-tape height; P₀ = Sprocket hole distance; for detailed specifications refer to packaging information www.vishay.com/doc?28139
- (3) Weight for short lead product only
SPQ = Standard Packing Quantity



$U_{RDC} = 1600\text{ V}$; $U_{RAC} = 550\text{ V}$ / $U_{p-p} = 1600\text{ V}$; $C\text{-tol.} = \pm 5\%$

C (μF)	DIMENSIONS w x h x l (mm)	MASS (g) ⁽¹⁾	CATALOG NUMBER MKP383 AND PACKAGING				
			LOOSE IN BOX				
			SHORT LEADS			LONG LEADS	
			$l_t = 3.5\text{ mm}$ $\pm 0.3\text{ mm}$	$l_t = 5.0\text{ mm}$ $\pm 1.0\text{ mm}$	SPQ	$l_t = 25.0\text{ mm}$ $\pm 2.0\text{ mm}$	SPQ
PITCH = 27.5 mm \pm 0.4 mm; $d_t = 0.80\text{ mm} \pm 0.08\text{ mm}$							
0.043	11.0 x 21.0 x 31.0	8.0	343160JKP2T0	343160JKM2T0	100	343160JKI2B0	125
0.047			347160JKP2T0	347160JKM2T0		347160JKI2B0	
0.051			351160JKP2T0	351160JKM2T0		351160JKI2B0	
0.056			356160JKP2T0	356160JKM2T0		356160JKI2B0	
0.062	13.0 x 23.0 x 31.0	9.7	362160JKP2T0	362160JKM2T0	100	362160JKI2B0	125
0.068			368160JKP2T0	368160JKM2T0		368160JKI2B0	
0.075			375160JKP2T0	375160JKM2T0		375160JKI2B0	
0.082	15.0 x 25.0 x 31.5	12.6	382160JKP2T0	382160JKM2T0	100	382160JKI2B0	125
0.091			391160JKP2T0	391160JKM2T0		391160JKI2B0	
0.100			410160JKP2T0	410160JKM2T0		410160JKI2B0	
0.110	18.0 x 28.0 x 31.5	16.3	411160JKP2T0	411160JKM2T0	100	411160JKI2B0	100
0.120			412160JKP2T0	412160JKM2T0		412160JKI2B0	
0.130			413160JKP2T0	413160JKM2T0		413160JKI2B0	
0.140			414160JKP2T0	414160JKM2T0		414160JKI2B0	
0.150			415160JKP2T0	415160JKM2T0		415160JKI2B0	

Note

⁽¹⁾ Weight for short lead product only
SPQ = Standard Packing Quantity

$U_{RDC} = 1600\text{ V}$; $U_{RAC} = 550\text{ V}$ / $U_{p-p} = 1600\text{ V}$; $C\text{-tol.} = \pm 5\%$

C (μF)	DIMENSIONS w x h x l (mm)	MASS (g) ⁽¹⁾	CATALOG NUMBER MKP383 AND PACKAGING				
			LOOSE IN BOX				
			SHORT LEADS			LONG LEADS	
			$l_t = 3.5\text{ mm}$ $\pm 0.3\text{ mm}$	$l_t = 5.0\text{ mm}$ $\pm 1.0\text{ mm}$	SPQ	$l_t = 25.0\text{ mm}$ $\pm 2.0\text{ mm}$	SPQ
PITCH $P_1 = 37.5\text{ mm} \pm 0.5\text{ mm}$; $d_t = 1.0\text{ mm} \pm 0.10\text{ mm}$; TWO PIN VERSION							
0.16	16 x 28.5 x 41.5		416160JPP2T0	416160JPM2T0	70	416160JPI2T0	150
0.18			418160JPP2T0	418160JPM2T0		418160JPI2T0	
0.20	18.5 x 32.5 x 43.0	33	420160JPP2T0	420160JPM2T0	60	420160JPI2T0	125
0.22			422160JPP2T0	422160JPM2T0		422160JPI2T0	
0.24			424160JPP2T0	424160JPM2T0		424160JPI2T0	
0.27			427160JPP2T0	427160JPM2T0		427160JPI2T0	
0.30	21.5 x 38.5 x 43.0	43	430160JPP2T0	430160JPM2T0	91	430160JPI2T0	91
0.33			433160JPP2T0	433160JPM2T0		433160JPI2T0	
0.36	24.0 x 44.0 x 42.0	55	436160JPP2T0	436160JPM2T0	77	436160JPI2T0	77
0.39			439160JPP2T0	439160JPM2T0		439160JPI2T0	
0.43			443160JPP2T0	443160JPM2T0		443160JPI2T0	
0.47			447160JPP2T0	447160JPM2T0		447160JPI2T0	
0.51	30.0 x 45.0 x 42.0	70	451160JPP2T0	451160JPM2T0	63	451160JPI2T0	63
0.56			456160JPP2T0	456160JPM2T0		456160JPI2T0	
PITCH $P_1 = 37.5\text{ mm} \pm 0.5\text{ mm}$; $P_2 = 10.2\text{ mm} \pm 0.5\text{ mm}$; $d_t = 1.0\text{ mm} \pm 0.10\text{ mm}$; FOUR PIN VERSION							
0.51	30.0 x 45.0 x 42.0	70	451160JPP4T0	451160JPM4T0	63	451160JPI4T0	63
0.56			456160JPP4T0	456160JPM4T0		456160JPI4T0	
PITCH $P_1 = 37.5\text{ mm} \pm 0.5\text{ mm}$; $P_2 = 20.3\text{ mm} \pm 0.5\text{ mm}$; $d_t = 1.0\text{ mm} \pm 0.10\text{ mm}$; FOUR PIN VERSION							
0.51	30.0 x 45.0 x 42.0	70	451160JPP5T0	451160JPM5T0	63	451160JPI5T0	63
0.56			456160JPP5T0	456160JPM5T0		456160JPI5T0	

Note

⁽¹⁾ Weight for short lead product only
SPQ = Standard Packing Quantity



SPECIFIC REFERENCE DATA (2000 V _{DC})	
DESCRIPTION	VALUE
Rated voltage pulse slope (dU/dt) _R	
Pitch = 15 mm (W < 6 mm)	11 000 V/μs
Pitch = 15 mm (W > 6 mm)	20 000 V/μs
Pitch = 22.5 mm	4400 V/μs
Pitch = 27.5 mm (W < 15 mm)	2500 V/μs
Pitch = 27.5 mm (W > 15 mm)	1800 V/μs
Pitch = 37.5 mm	750 V/μs
R between leads, for C ≤ 1 μF at 500 V; 1 min	> 100 000 MΩ
R between leads and case; 500 V; 1 min	> 30 000 MΩ
Ionization (AC) voltage (typical value) at 20 pC peak discharge	> 750 V
Withstanding (DC) voltage (cut off current 10 mA) ⁽¹⁾ ; rise time ≤ 1000 V/s:	3200 V; 1 min
Withstanding (DC) voltage between leads and case	2840 V; 1 min
Maximum application temperature	105 °C

Note

⁽¹⁾ See "Voltage proof test for metalized film capacitors": www.vishay.com/doc?28169

TANGENT OF LOSS ANGLE - 2000 V _{DC}		
DESCRIPTION	VALUE	
CAPACITANCE RANGE	10 kHz	100 kHz
C ≤ 0.01 μF	≤ 10 x 10 ⁻⁴	≤ 15 x 10 ⁻⁴
0.01 μF < C ≤ 0.1 μF	≤ 10 x 10 ⁻⁴	≤ 18 x 10 ⁻⁴
0.1 μF < C ≤ 0.56 μF	≤ 10 x 10 ⁻⁴	≤ 30 x 10 ⁻⁴



Bent back pitch: 7.5 mm (only taped); $U_{RDC} = 2000\text{ V}$; $U_{RAC} = 700\text{ V}$ / $U_{p-p} = 2000\text{ V}$; C-tol. = $\pm 5\%$

C (μF)	DIMENSIONS w x h' x l (mm)	MASS (g) ⁽²⁾	CATALOG NUMBER MKP383 AND PACKAGING					
			AMMOPACK ⁽¹⁾		REEL (500 mm) ⁽¹⁾		REEL (356 mm) ⁽¹⁾	
			H = 16.0 mm P ₀ = 15.0 mm	SPQ	H = 16.0 mm P ₀ = 15.0 mm	SPQ	H = 16.0 mm P ₀ = 15.0 mm	SPQ
BENT BACK PITCH = 7.5 mm \pm 0.4 mm; d_t = 0.60 mm \pm 0.06 mm								
0.0010	5.0 X 13.0 X 17.5	1.1	-	-	210200JC02R0	950	210200JC02Z0	550
0.0011			-		211200JC02R0		211200JC02Z0	
0.0012			-		212200JC02R0		212200JC02Z0	
0.0013			-		213200JC02R0		213200JC02Z0	
0.0015			-		215200JC02R0		215200JC02Z0	
0.0016			-		216200JC02R0		216200JC02Z0	
0.0018			-		218200JC02R0		218200JC02Z0	
0.0020			-		220200JC02R0		220200JC02Z0	
0.0022			-		222200JC02R0		222200JC02Z0	
0.0024			-		224200JC02R0		224200JC02Z0	
0.0027	6.0 X 14.0 X 17.5	1.4	-	-	227200JC02R0	800	227200JC02Z0	450
0.0030			-		230200JC02R0		230200JC02Z0	
0.0033			-		233200JC02R0		233200JC02Z0	
0.0036			-		236200JC02R0		236200JC02Z0	
BENT BACK PITCH = 7.5 mm \pm 0.4 mm; d_t = 0.80 mm \pm 0.08 mm								
0.0039	7.0 x 15.5 x 17.5	1.8	-	-	239200JC02R0	700	239200JC02Z0	400
0.0043			-		243200JC02R0		243200JC02Z0	
0.0047			-		247200JC02R0		247200JC02Z0	
0.0051	8.5 x 17.0 x 17.5	2.5	-	-	251200JC02R0	550	251200JC02Z0	300
0.0056			-		256200JC02R0		256200JC02Z0	
0.0062			-		262200JC02R0		262200JC02Z0	
0.0068			-		268200JC02R0		268200JC02Z0	
0.0075	10.0 x 18.5 x 17.5	3.3	-	-	275200JC02R0	500	275200JC02Z0	250
0.0082			-		282200JC02R0		282200JC02Z0	
0.0091			-		291200JC02R0		291200JC02Z0	
0.0100			-		310200JC02R0		310200JC02Z0	

Notes

⁽¹⁾ H = In-tape height; P₀ = Sprocket hole distance; for detailed specifications refer to packaging information www.vishay.com/doc?28139

⁽²⁾ Weight for short lead product only
SPQ = Standard Packing Quantity



$U_{RDC} = 2000\text{ V}$; $U_{RAC} = 700\text{ V}$ / $U_{p-p} = 2000\text{ V}$; C-tol. = $\pm 5\%$

C (μF)	DIMENSIONS w x h x l (mm)	MASS (g) ⁽³⁾	CATALOG NUMBER MKP383 AND PACKAGING						
			LOOSE IN BOX					REEL ⁽¹⁾⁽²⁾	
			SHORT LEADS			LONG LEADS		H = 18.5 mm P ₀ = 12.7 mm	
			$l_t = 3.5\text{ mm}$ $\pm 0.3\text{ mm}$	$l_t = 5.0\text{ mm}$ $\pm 1.0\text{ mm}$	SPQ	$l_t = 25.0\text{ mm}$ $\pm 2.0\text{ mm}$	SPQ		SPQ
PITCH = 15 mm \pm 0.4 mm; d_t = 0.60 mm \pm 0.06 mm									
0.0010	5.0 x 11.0 x 17.5	1.1	210200JFP2B0	210200JFM2B0	1250	210200JFI2B0	1000	210200JF02W0	1100
0.0011			211200JFP2B0	211200JFM2B0		211200JFI2B0		211200JF02W0	
0.0012			212200JFP2B0	212200JFM2B0		212200JFI2B0		212200JF02W0	
0.0013			213200JFP2B0	213200JFM2B0		213200JFI2B0		213200JF02W0	
0.0015			215200JFP2B0	215200JFM2B0		215200JFI2B0		215200JF02W0	
0.0016			216200JFP2B0	216200JFM2B0		216200JFI2B0		216200JF02W0	
0.0018			218200JFP2B0	218200JFM2B0		218200JFI2B0		218200JF02W0	
0.0020			220200JFP2B0	220200JFM2B0		220200JFI2B0		220200JF02W0	
0.0022			222200JFP2B0	222200JFM2B0		222200JFI2B0		222200JF02W0	
0.0024			224200JFP2B0	224200JFM2B0		224200JFI2B0		224200JF02W0	
0.0027	6.0 x 12.0 x 17.5	1.4	227200JFP2B0	227200JFM2B0	1000	227200JFI2B0	1000	227200JF02W0	900
0.0030			230200JFP2B0	230200JFM2B0		230200JFI2B0		230200JF02W0	
0.0033			233200JFP2B0	233200JFM2B0		233200JFI2B0		233200JF02W0	
0.0036			236200JFP2B0	236200JFM2B0		236200JFI2B0		236200JF02W0	
PITCH = 15 mm \pm 0.4 mm; d_t = 0.80 mm \pm 0.08 mm									
0.0039	7.0 x 13.5 x 17.5	1.8	239200JFP2B0	239200JFM2B0	750	239200JFI2B0	500	239200JF02W0	800
0.0043			243200JFP2B0	243200JFM2B0		243200JFI2B0		243200JF02W0	
0.0047			247200JFP2B0	247200JFM2B0		247200JFI2B0		247200JF02W0	
0.0051	8.5 x 15.0 x 17.5	2.5	251200JFP2B0	251200JFM2B0	750	251200JFI2B0	500	251200JF02W0	650
0.0056			256200JFP2B0	256200JFM2B0		256200JFI2B0		256200JF02W0	
0.0062			262200JFP2B0	262200JFM2B0		262200JFI2B0		262200JF02W0	
0.0068			268200JFP2B0	268200JFM2B0		268200JFI2B0		268200JF02W0	
0.0075	10.0 x 16.5 x 17.5	3.3	275200JFP2B0	275200JFM2B0	500	275200JFI2B0	450	275200JF02W0	600
0.0082			282200JFP2B0	282200JFM2B0		282200JFI2B0		282200JF02W0	
0.0091			291200JFP2B0	291200JFM2B0		291200JFI2B0		291200JF02W0	
0.0100			310200JFP2B0	310200JFM2B0		310200JFI2B0		310200JF02W0	

Notes

- (1) Reel diameter = 356 mm is available on request.
- (2) H = In-tape height; P₀ = Sprocket hole distance; for detailed specifications refer to packaging information www.vishay.com/doc?28139
- (3) Weight for short lead product only
SPQ = Standard Packing Quantity



$U_{RDC} = 2000\text{ V}$; $U_{RAC} = 700\text{ V}$ / $U_{p-p} = 2000\text{ V}$; C-tol. = $\pm 5\%$

C (μF)	DIMENSIONS w x h x l (mm)	MASS (g) ⁽³⁾	CATALOG NUMBER MKP383 AND PACKAGING						
			LOOSE IN BOX					REEL ⁽¹⁾⁽²⁾	
			SHORT LEADS			LONG LEADS		H = 18.5 mm P ₀ = 12.7 mm	
			$l_t = 3.5\text{ mm}$ $\pm 0.3\text{ mm}$	$l_t = 5.0\text{ mm}$ $\pm 1.0\text{ mm}$	SPQ	$l_t = 25.0\text{ mm}$ $\pm 2.0\text{ mm}$	SPQ		SPQ
PITCH = 22.5 mm \pm 0.4 mm; $d_t = 0.80\text{ mm} \pm 0.08\text{ mm}$									
0.011	7.0 x 16.5 x 26.0	3.0	311200JIP2T0	311200JIM2T0	200	311200JII2B0	250	311200JIO2W0	550
0.012			312200JIP2T0	312200JIM2T0		312200JII2B0		312200JIO2W0	
0.013			313200JIP2T0	313200JIM2T0		313200JII2B0		313200JIO2W0	
0.015	8.5 x 18.0 x 26.0	4.2	315200JIP2T0	315200JIM2T0	200	315200JII2B0	250	315200JIO2W0	450
0.016			316200JIP2T0	316200JIM2T0		316200JII2B0		316200JIO2W0	
0.018			318200JIP2T0	318200JIM2T0		318200JII2B0		318200JIO2W0	
0.020	10.0 x 19.5 x 26.0	5.3	320200JIP2T0	320200JIM2T0	200	320200JII2B0	200	320200JIO2W0	350
0.022			322200JIP2T0	322200JIM2T0		322200JII2B0		322200JIO2W0	
0.024			324200JIP2T0	324200JIM2T0		324200JII2B0		324200JIO2W0	

Notes

(1) Reel diameter = 356 mm is available on request.

(2) H = In-tape height; P₀ = Sprocket hole distance; for detailed specifications refer to packaging information www.vishay.com/doc?28139

(3) Weight for short lead product only
SPQ = Standard Packing Quantity

$U_{RDC} = 2000\text{ V}$; $U_{RAC} = 700\text{ V}$ / $U_{p-p} = 2000\text{ V}$; C-tol. = $\pm 5\%$

C (μF)	DIMENSIONS w x h x l (mm)	MASS (g) ⁽¹⁾	CATALOG NUMBER MKP383 AND PACKAGING					
			LOOSE IN BOX					
			SHORT LEADS		SPQ	LONG LEADS		SPQ
			$l_t = 3.5\text{ mm}$ $\pm 0.3\text{ mm}$	$l_t = 5.0\text{ mm}$ $\pm 1.0\text{ mm}$		$l_t = 25.0\text{ mm}$ $\pm 2.0\text{ mm}$		
PITCH = 27.5 mm \pm 0.4 mm; $d_t = 0.80\text{ mm} \pm 0.08\text{ mm}$								
0.027	11.0 x 21.0 x 31.0	8.0	327200JKP2T0	327200JKM2T0	100	327200JKI2B0	125	
0.030			330200JKP2T0	330200JKM2T0		330200JKI2B0		
0.033			333200JKP2T0	333200JKM2T0		333200JKI2B0		
0.036			336200JKP2T0	336200JKM2T0		336200JKI2B0		
0.039			339200JKP2T0	339200JKM2T0		339200JKI2B0		
0.043	13.0 x 23.0 x 31.0	9.7	343200JKP2T0	343200JKM2T0	100	343200JKI2B0	125	
0.047			347200JKP2T0	347200JKM2T0		347200JKI2B0		
0.051			351200JKP2T0	351200JKM2T0		351200JKI2B0		
0.056	15.0 x 25.0 x 31.5	12.6	356200JKP2T0	356200JKM2T0	100	356200JKI2B0	125	
0.062			362200JKP2T0	362200JKM2T0		362200JKI2B0		
0.068			368200JKP2T0	368200JKM2T0		368200JKI2B0		
0.075	18.0 x 28.0 x 31.5	16.3	375200JKP2T0	375200JKM2T0	100	375200JKI2B0	100	
0.082			382200JKP2T0	382200JKM2T0		382200JKI2B0		
0.091			391200JKP2T0	391200JKM2T0		391200JKI2B0		
0.100			410200JKP2T0	410200JKM2T0		410200JKI2B0		

Note

(1) Weight for short lead product only
SPQ = Standard Packing Quantity



$U_{RDC} = 2000\text{ V}$; $U_{RAC} = 700\text{ V}$ / $U_{p-p} = 2000\text{ V}$; $C\text{-tol.} = \pm 5\%$

C (μF)	DIMENSIONS w x h x l (mm)	MASS (g) ⁽¹⁾	CATALOG NUMBER MKP383 AND PACKAGING				
			LOOSE IN BOX				
			SHORT LEADS			LONG LEADS	
			$l_t = 3.5\text{ mm}$ $\pm 0.3\text{ mm}$	$l_t = 5.0\text{ mm}$ $\pm 1.0\text{ mm}$	SPQ	$l_t = 25.0\text{ mm}$ $\pm 2.0\text{ mm}$	SPQ
PITCH $P_1 = 37.5\text{ mm} \pm 0.5\text{ mm}$; $d_t = 1.0\text{ mm} \pm 0.10\text{ mm}$; TWO PIN VERSION							
0.10	14.5 x 24.5 x 41.5		410200JPP2T0	410200JPM2T0	80	410200JPI2T0	175
0.11	16 x 28.5 x 41.5		411200JPP2T0	411200JPM2T0	70	411200JPI2T0	150
0.12			412200JPP2T0	412200JPM2T0		412200JPI2T0	
0.13			413200JPP2T0	413200JPM2T0		413200JPI2T0	
0.15			415200JPP2T0	415200JPM2T0		415200JPI2T0	
0.16	18 x 32.5 x 41.5		416200JPP2T0	416200JPM2T0	60	416200JPI2T0	125
0.18			418200JPP2T0	418200JPM2T0		418200JPI2T0	
0.20			420200JPP2T0	420200JPM2T0		420200JPI2T0	
0.22			422200JPP2T0	422200JPM2T0		422200JPI2T0	
0.24	21.5 x 38.5 x 43.0	43	424200JPP2T0	424200JPM2T0	91	424200JPI2T0	91
0.27			427200JPP2T0	427200JPM2T0		427200JPI2T0	
0.30	24.0 x 44.0 x 42.0	55	430200JPP2T0	430200JPM2T0	77	430200JPI2T0	77
0.33			433200JPP2T0	433200JPM2T0		433200JPI2T0	
0.36			436200JPP2T0	436200JPM2T0		436200JPI2T0	
0.39			439200JPP2T0	439200JPM2T0		439200JPI2T0	
0.43	30.0 x 45.0 x 42.0	70	443200JPP2T0	443200JPM2T0	63	443200JPI2T0	63
0.47			447200JPP2T0	447200JPM2T0		447200JPI2T0	
0.51			451200JPP2T0	451200JPM2T0		451200JPI2T0	
0.56			456200JPP2T0	456200JPM2T0		456200JPI2T0	
PITCH $P_1 = 37.5\text{ mm} \pm 0.5\text{ mm}$; $P_2 = 10.2\text{ mm} \pm 0.5\text{ mm}$; $d_t = 1.0\text{ mm} \pm 0.10\text{ mm}$; FOUR PIN VERSION							
0.43	30.0 x 45.0 x 42.0	70	443200JPP4T0	443200JPM4T0	63	443200JPI4T0	63
0.47			447200JPP4T0	447200JPM4T0		447200JPI4T0	
0.51			451200JPP4T0	451200JPM4T0		451200JPI4T0	
0.56			456200JPP4T0	456200JPM4T0		456200JPI4T0	
PITCH $P_1 = 37.5\text{ mm} \pm 0.5\text{ mm}$; $P_2 = 20.3\text{ mm} \pm 0.5\text{ mm}$; $d_t = 1.0\text{ mm} \pm 0.10\text{ mm}$; FOUR PIN VERSION							
0.43	30.0 x 45.0 x 42.0	70	443200JPP5T0	443200JPM5T0	63	443200JPI5T0	63
0.47			447200JPP5T0	447200JPM5T0		447200JPI5T0	
0.51			451200JPP5T0	451200JPM5T0		451200JPI5T0	
0.56			456200JPP5T0	456200JPM5T0		456200JPI5T0	

Note

⁽¹⁾ Weight for short lead product only
SPQ = Standard Packing Quantity



SPECIFIC REFERENCE DATA - 2500 V _{DC}	
DESCRIPTION	VALUE
Rated voltage pulse slope (dU/dt) _R	
Pitch = 22.5 mm	13 000 V/μs
Pitch = 27.5 mm (W < 15 mm)	6000 V/μs
Pitch = 27.5 mm (W > 15 mm)	4200 V/μs
Pitch = 37.5 mm	1500 V/μs
R between leads, for C ≤ 1 μF at 500 V; 1 min	> 100 000 MΩ
R between leads and case; 500 V; 1 min	> 30 000 MΩ
Ionization (AC) voltage (typical value) at 20 pC peak discharge	> 1000 V
Withstanding (DC) voltage (cut off current 10 mA) ⁽¹⁾ ; rise time ≤ 1000 V/s	4000 V; 1 min
Withstanding (DC) voltage between leads and case	2840 V; 1 min
Maximum application temperature	105 °C

Note

⁽¹⁾ See "Voltage Proof Test for Metalized Film Capacitors": www.vishay.com/doc?28169

TANGENT OF LOSS ANGLE - 2500 V _{DC}		
DESCRIPTION	VALUE	
	10 kHz	100 kHz
CAPACITANCE RANGE		
C ≤ 0.015 μF	≤ 10 x 10 ⁻⁴	≤ 10 x 10 ⁻⁴
0.015 μF < C ≤ 0.056 μF	≤ 10 x 10 ⁻⁴	≤ 15 x 10 ⁻⁴
0.056 μF < C ≤ 0.33 μF	≤ 10 x 10 ⁻⁴	≤ 20 x 10 ⁻⁴



$U_{RDC} = 2500\text{ V}$; $U_{RAC} = 900\text{ V}$ / $U_{p-p} = 2500\text{ V}$; C-tol. = $\pm 5\%$

C (μF)	DIMENSIONS w x h x l (mm)	MASS (g) ⁽³⁾	CATALOG NUMBER MKP383 AND PACKAGING						
			LOOSE IN BOX					REEL ⁽¹⁾⁽²⁾	
			SHORT LEADS			LONG LEADS		H = 18.5 mm P ₀ = 12.7 mm	
			$l_t = 3.5\text{ mm}$ $\pm 0.3\text{ mm}$	$l_t = 5.0\text{ mm}$ $\pm 1.0\text{ mm}$	SPQ	$l_t = 25.0\text{ mm}$ $\pm 2.0\text{ mm}$	SPQ		SPQ
PITCH = 22.5 mm \pm 0.4 mm; $d_t = 0.80\text{ mm} \pm 0.08\text{ mm}$									
0.0010	6.0 x 15.5 x 26	2.4	210250JIP2T0	210250JIM2T0	300	210250JII2B0	250	210250JI02W0	600
0.0011			211250JIP2T0	211250JIM2T0		211250JII2B0		211250JI02W0	
0.0012			212250JIP2T0	212250JIM2T0		212250JII2B0		212250JI02W0	
0.0013			213250JIP2T0	213250JIM2T0		213250JII2B0		213250JI02W0	
0.0015			215250JIP2T0	215250JIM2T0		215250JII2B0		215250JI02W0	
0.0016			216250JIP2T0	216250JIM2T0		216250JII2B0		216250JI02W0	
0.0018			218250JIP2T0	218250JIM2T0		218250JII2B0		218250JI02W0	
0.0020			220250JIP2T0	220250JIM2T0		220250JII2B0		220250JI02W0	
0.0022			222250JIP2T0	222250JIM2T0		222250JII2B0		222250JI02W0	
0.0024			224250JIP2T0	224250JIM2T0		224250JII2B0		224250JI02W0	
0.0027			227250JIP2T0	227250JIM2T0		227250JII2B0		227250JI02W0	
0.0030			230250JIP2T0	230250JIM2T0		230250JII2B0		230250JI02W0	
0.0033			233250JIP2T0	233250JIM2T0		233250JII2B0		233250JI02W0	
0.0036			236250JIP2T0	236250JIM2T0		236250JII2B0		236250JI02W0	
0.0039			239250JIP2T0	239250JIM2T0		239250JII2B0		239250JI02W0	
0.0043			243250JIP2T0	243250JIM2T0		243250JII2B0		243250JI02W0	
0.0047			247250JIP2T0	247250JIM2T0		247250JII2B0		247250JI02W0	
0.0051	251250JIP2T0	251250JIM2T0	251250JII2B0	251250JI02W0					
0.0056	256250JIP2T0	256250JIM2T0	256250JII2B0	256250JI02W0					
0.0062	7.0 x 16.5 x 26	3.0	262250JIP2T0	262250JIM2T0	200	262250JII2B0	250	262250JI02W0	550
0.0068			268250JIP2T0	268250JIM2T0		268250JII2B0		268250JI02W0	
0.0075			275250JIP2T0	275250JIM2T0		275250JII2B0		275250JI02W0	
0.0082	8.5 x 18.0 x 26	4.2	282250JIP2T0	282250JIM2T0	200	282250JII2B0	250	282250JI02W0	450
0.0091			291250JIP2T0	291250JIM2T0		291250JII2B0		291250JI02W0	
0.0100			310250JIP2T0	310250JIM2T0		310250JII2B0		310250JI02W0	
0.0110			311250JIP2T0	311250JIM2T0		311250JII2B0		311250JI02W0	
0.0120	10.0 x 19.5 x 26	5.3	312250JIP2T0	312250JIM2T0	200	312250JII2B0	200	312250JI02W0	350
0.0130			313250JIP2T0	313250JIM2T0		313250JII2B0		313250JI02W0	
0.0150			315250JIP2T0	315250JIM2T0		315250JII2B0		315250JI02W0	

Notes

(1) Reel diameter = 356 mm is available on request.

(2) H = In-tape height; P₀ = Sprocket hole distance; for detailed specifications refer to packaging information www.vishay.com/doc?28139

(3) Weight for short lead product only
SPQ = Standard Packing Quantity



$U_{RDC} = 2500\text{ V}$; $U_{RAC} = 900\text{ V}$ / $U_{p-p} = 2500\text{ V}$; C-tol. = $\pm 5\%$

C (μF)	DIMENSIONS w x h x l (mm)	MASS (g) ⁽¹⁾	CATALOG NUMBER MKP383 AND PACKAGING				
			LOOSE IN BOX				
			SHORT LEADS			LONG LEADS	
			$l_t = 3.5\text{ mm} \pm 0.3\text{ mm}$	$l_t = 5.0\text{ mm} \pm 1.0\text{ mm}$	SPQ	$l_t = 25.0\text{ mm} \pm 2.0\text{ mm}$	SPQ
PITCH = 27.5 mm \pm 0.4 mm; $d_t = 0.80\text{ mm} \pm 0.08\text{ mm}$							
0.016	9.0 x 19.0 x 31.5	5.9	316250JKP2T0	316250JKM2T0	100	316250JKI2B0	150
0.018	11.0 x 21.0 x 31.0	8.0	318250JKP2T0	318250JKM2T0	100	318250JKI2B0	125
0.020			320250JKP2T0	320250JKM2T0		320250JKI2B0	
0.022			322250JKP2T0	322250JKM2T0		322250JKI2B0	
0.024			324250JKP2T0	324250JKM2T0		324250JKI2B0	
0.027			327250JKP2T0	327250JKM2T0		327250JKI2B0	
0.030	13.0 x 23.0 x 31.0	9.7	330250JKP2T0	330250JKM2T0	100	330250JKI2B0	125
0.033			333250JKP2T0	333250JKM2T0		333250JKI2B0	
0.036	15.0 x 25.0 x 31.5	12.6	336250JKP2T0	336250JKM2T0	100	336250JKI2B0	125
0.039			339250JKP2T0	339250JKM2T0		339250JKI2B0	
0.043			343250JKP2T0	343250JKM2T0		343250JKI2B0	
0.047	18.0 x 28.0 x 31.5	16.3	347250JKP2T0	347250JKM2T0	100	347250JKI2B0	100
0.051			351250JKP2T0	351250JKM2T0		351250JKI2B0	
0.056			356250JKP2T0	356250JKM2T0		356250JKI2B0	
0.062	21.0 x 21.0 x 31.0	20.3	362250JKP2T0	362250JKM2T0	50	362250JKI2B0	75
0.068			368250JKP2T0	368250JKM2T0		368250JKI2B0	
0.075			375250JKP2T0	375250JKM2T0		375250JKI2B0	
0.082			382250JKP2T0	382250JKM2T0		382250JKI2B0	

Note

⁽¹⁾ Weight for short lead product only
SPQ = Standard Packing Quantity

$U_{RDC} = 2500\text{ V}$; $U_{RAC} = 900\text{ V}$ / $U_{p-p} = 2500\text{ V}$; C-tol. = $\pm 5\%$

C (μF)	DIMENSIONS w x h x l (mm)	MASS (g) ⁽¹⁾	CATALOG NUMBER MKP383 AND PACKAGING				
			LOOSE IN BOX				
			SHORT LEADS			LONG LEADS	
			$l_t = 3.5\text{ mm} \pm 0.3\text{ mm}$	$l_t = 5.0\text{ mm} \pm 1.0\text{ mm}$	SPQ	$l_t = 25.0\text{ mm} \pm 2.0\text{ mm}$	SPQ
PITCH $P_1 = 37.5\text{ mm} \pm 0.5\text{ mm}$; $d_t = 1.0\text{ mm} \pm 0.10\text{ mm}$; TWO PIN VERSION							
0.091	18 x 32.5 x 41.5		391250JPP2T0	391250JPM2T0	60	391250JPI2T0	125
0.100			410250JPP2T0	410250JPM2T0		410250JPI2T0	
0.110			411250JPP2T0	411250JPM2T0		411250JPI2T0	
0.120			412250JPP2T0	412250JPM2T0		412250JPI2T0	
0.130	18.5 x 35.5 x 43.0	33	413250JPP2T0	413250JPM2T0	105	413250JPI2T0	105
0.150			415250JPP2T0	415250JPM2T0		415250JPI2T0	
0.160	21.5 x 38.5 x 43.0	43	416250JPP2T0	416250JPM2T0	91	416250JPI2T0	91
0.180			418250JPP2T0	418250JPM2T0		418250JPI2T0	
0.200	24.0 x 44.0 x 42.0	55	420250JPP2T0	420250JPM2T0	77	420250JPI2T0	77
0.220			422250JPP2T0	422250JPM2T0		422250JPI2T0	
0.240			424250JPP2T0	424250JPM2T0		424250JPI2T0	
0.270	30.0 x 45.0 x 42.0	70	427250JPP2T0	427250JPM2T0	63	427250JPI2T0	63
0.300			430250JPP2T0	430250JPM2T0		430250JPI2T0	
PITCH $P_1 = 37.5 \pm 0.5\text{ mm}$; $P_2 = 10.2\text{ mm} \pm 0.5\text{ mm}$; $d_t = 1.0\text{ mm} \pm 0.10\text{ mm}$; FOUR PIN VERSION							
0.240	30.0 x 45.0 x 42.0	70	424250JPP4T0	424250JPM4T0	63	424250JPI4T0	63
0.270			427250JPP4T0	427250JPM4T0		427250JPI4T0	
0.300			430250JPP4T0	430250JPM4T0		430250JPI4T0	
PITCH $P_1 = 37.5 \pm 0.5\text{ mm}$; $P_2 = 20.3\text{ mm} \pm 0.5\text{ mm}$; $d_t = 1.0\text{ mm} \pm 0.10\text{ mm}$; FOUR PIN VERSION							
0.240	30.0 x 45.0 x 42.0	70	424250JPP5T0	424250JPM5T0	63	424250JPI5T0	63
0.270			427250JPP5T0	427250JPM5T0		427250JPI5T0	
0.300			430250JPP5T0	430250JPM5T0		430250JPI5T0	

Note

⁽¹⁾ Weight for short lead product only
SPQ = Standard Packing Quantity