

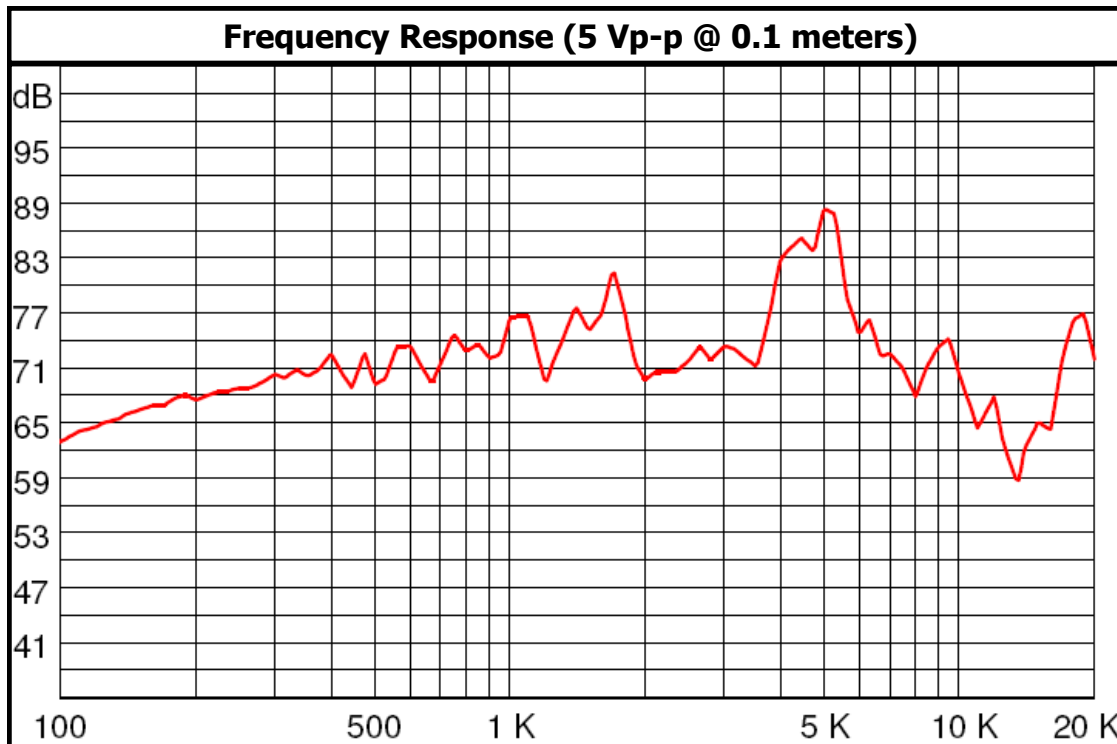
pui
audio™ inc
a projects unlimited company

AT-1438-TWT-R 14mm Transducer

3541 Stop Eight Road • Dayton, Ohio 45414

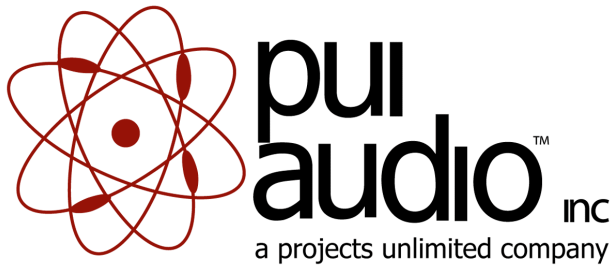
Product Overview

- 14mm diameter transducer with 1 mA current draw
- 80 dBA minimum output (5 Vp-p @ 10 cm) and 3.8 kHz resonant frequency
- Noryl™ housing withstands Wave soldering temperatures
- Removable wash tag preserves performance



An Initiative of the EICC and GeSI

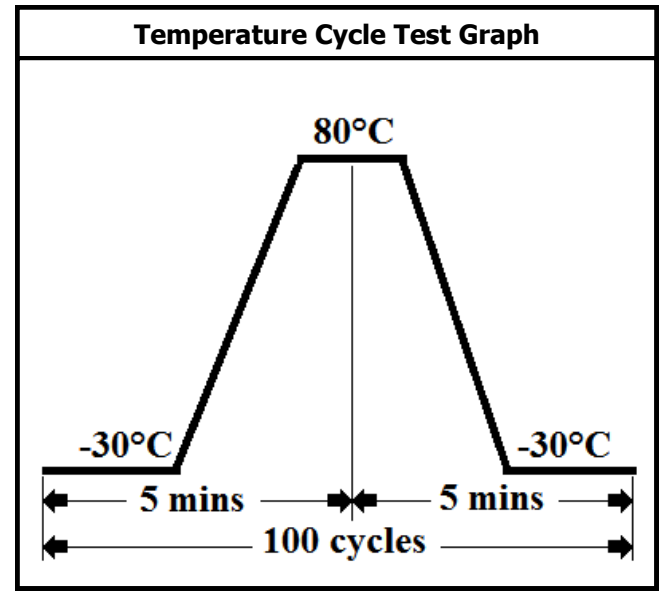
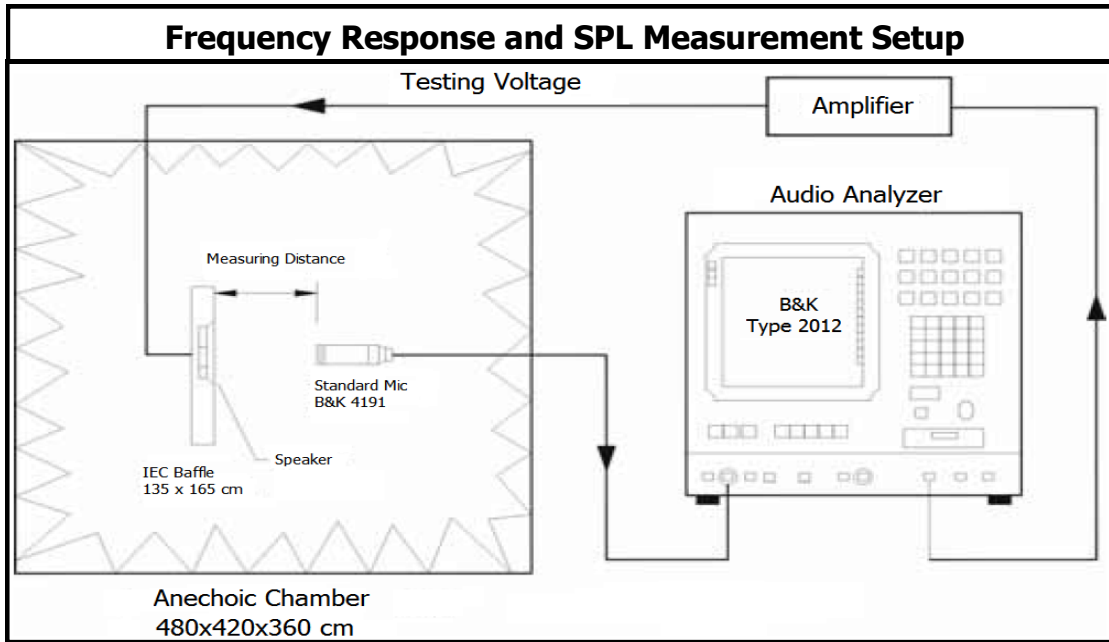
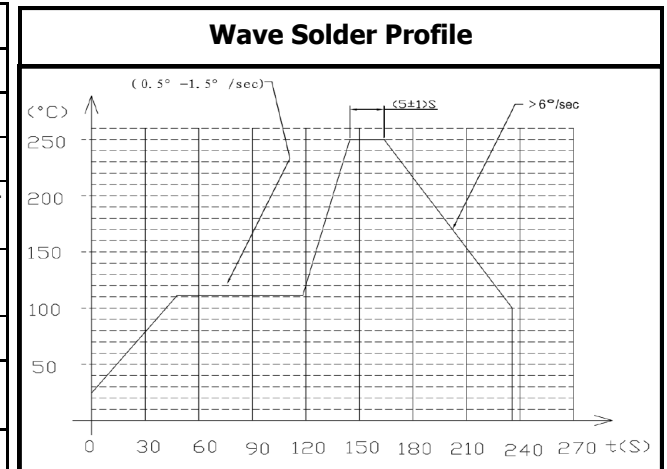




AT-1438-TWT-R 14mm Transducer

Mechanical and Environment Testing	
Test Description	Test Condition
High Temperature	85°C (±2°C) with random humidity for 96 hours
Low Temperature	-25°C (±2°C) with random humidity for 96 hours
Humidity	40°C (±2°C) with 90% to 95% relative humidity for 96 hours
Vibration	0.75 mm movement modulated at 10-55 Hz for 3 hours
Drop Test	100 cm free fall onto wood board, 10 cycles
Temperature Cycle Test	-30°C to 80°C, 100 cycles

After tests, part shall rest for 2 hours. Parts are then tested for clean, pure tones.



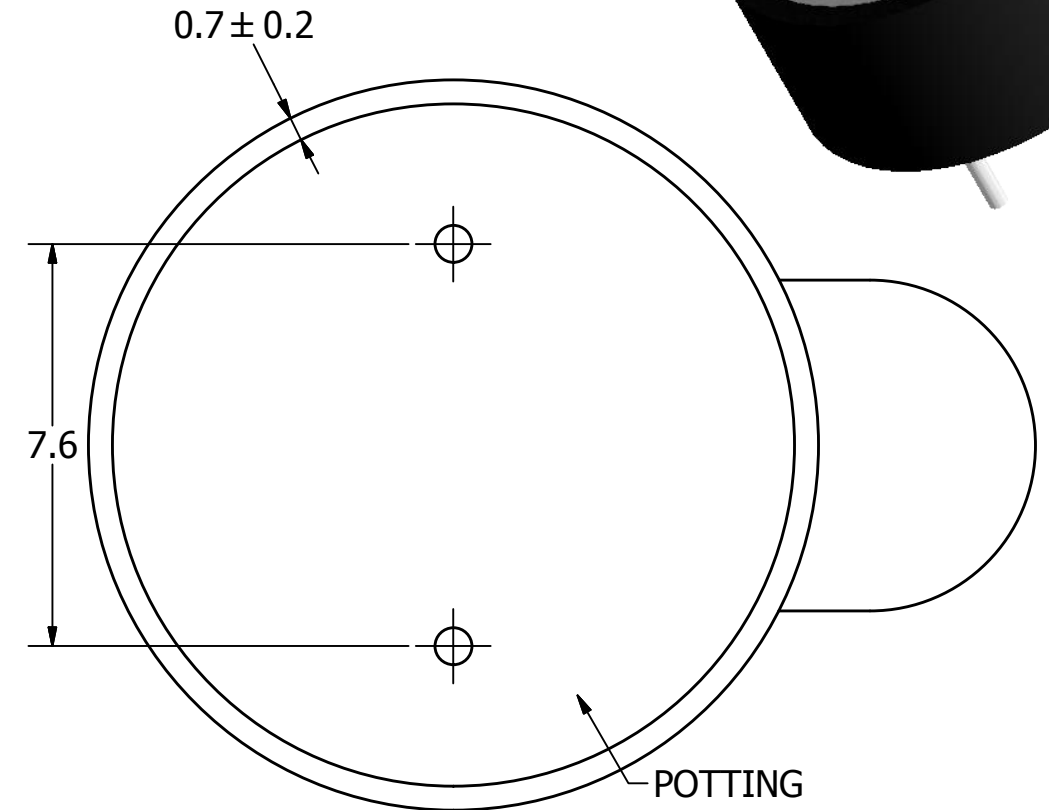
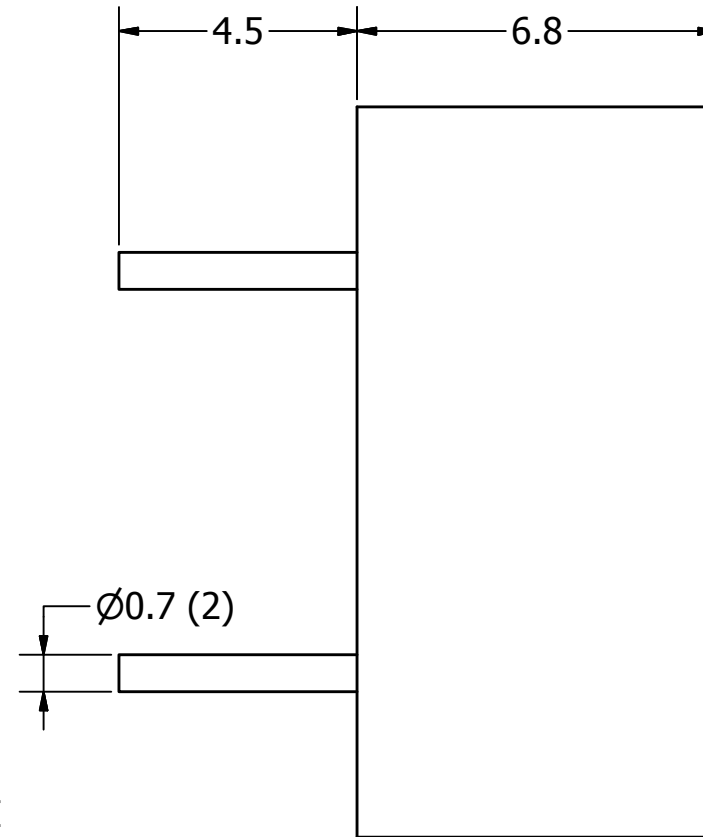
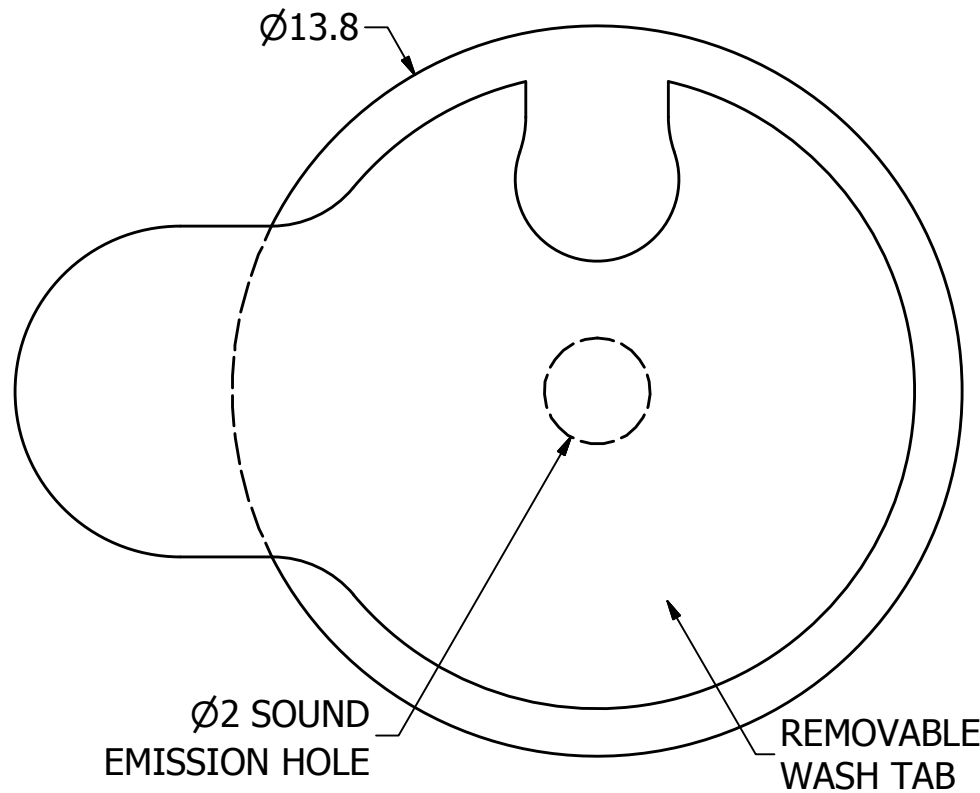
SPECIFICATIONS

PARAMETERS	VALUES	UNITS
RATED VOLTAGE	5	Vp-p
OPERATING VOLTAGE RANGE	1 ~ 20	Vp-p
RATED CURRENT (MAX)	1	mA
CAPACITANCE	13,000 ± 30%	pF
MINIMUM SPL @ 10 CM	80	dB
RESONANT FREQUENCY	3,800 ± 500	Hz
OPERATING TEMPERATURE	-30 ~ +80	°C
STORAGE TEMPERATURE	-30 ~ +80	°C
HOUSING MATERIAL	NORYL	-
TERMINAL MATERIAL	Sn PLATED RED COPPER	-
WEIGHT	1	grams

THIS DOCUMENT CONTAINS DATA PROPRIETARY TO PROJECTS UNLIMITED, INC. ANY USE OR REPRODUCTION, IN ANY FORM, WITHOUT PRIOR WRITTEN PERMISSION OF PROJECTS UNLIMITED, INC. IS PROHIBITED.
©2003, Projects Unlimited Inc.

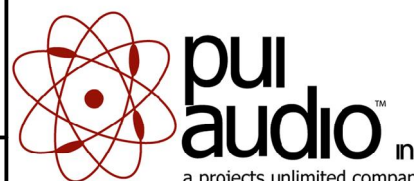
REVISION HISTORY

LTR	DESCRIPTION	DATE	APPROVED
-	RELEASED FROM ENGINEERING	8/17/2004	
A	REMOVED LEAD FREE ADDE RoHS NOTE	8/10/2005	
B	REVISED TERMINAL MATERIAL	1/24/2006	B.R.
C	REVISED HOUSING MATERIAL	11/13/2006	B.R.
D	ADDED LABEL & POLARITY MARKING	11/22/2006	B.R.
E	REVISED TO INVENTOR 3-D DRAWING TEMPLATE	4/16/2008	B.R.
F	REVISED TO REMOVE POLARITY & UPDATED ROHS STATEMENT	3/2/2017	M.V.



NOTES:

1. ALL DIMENSIONS ARE IN MILLIMETERS.
2. SPECIFICATIONS SUBJECT TO CHANGE OR WITHDRAWL WITHOUT NOTICE.
3. THIS PART IS RoHS 2011/65/EU COMPLIANT.

UNLESS OTHERWISE SPECIFIED: DIMENSIONS ARE IN MILLIMETERS, TOLERANCES ARE ±0.5 AND ANGLES ARE ±3°.	SIZE A3	Designed by	Date	Checked by	Date	Approved by	Date	Drawn Date
		R.A.C.	8/17/2004			R.W.	8/17/2004	4/16/2008
AT-1438-TWT-R.idw				AT-1438-TWT-R Transducer (Piezo)				
				Edition		Sheet		
				-		1 / 1		