

Manufactured from quality moulding and metal components to ensure a secure and reliable connection, Bulgin's battery holder range caters for battery sizes AAA(R03), AA(R6), C(R14), D(R20) and PP3(6R61), accommodating 1, 2, 3 or 4 cells.



There's a choice of fixing styles including screw and flange panel fixing, PCB and base mounting versions.

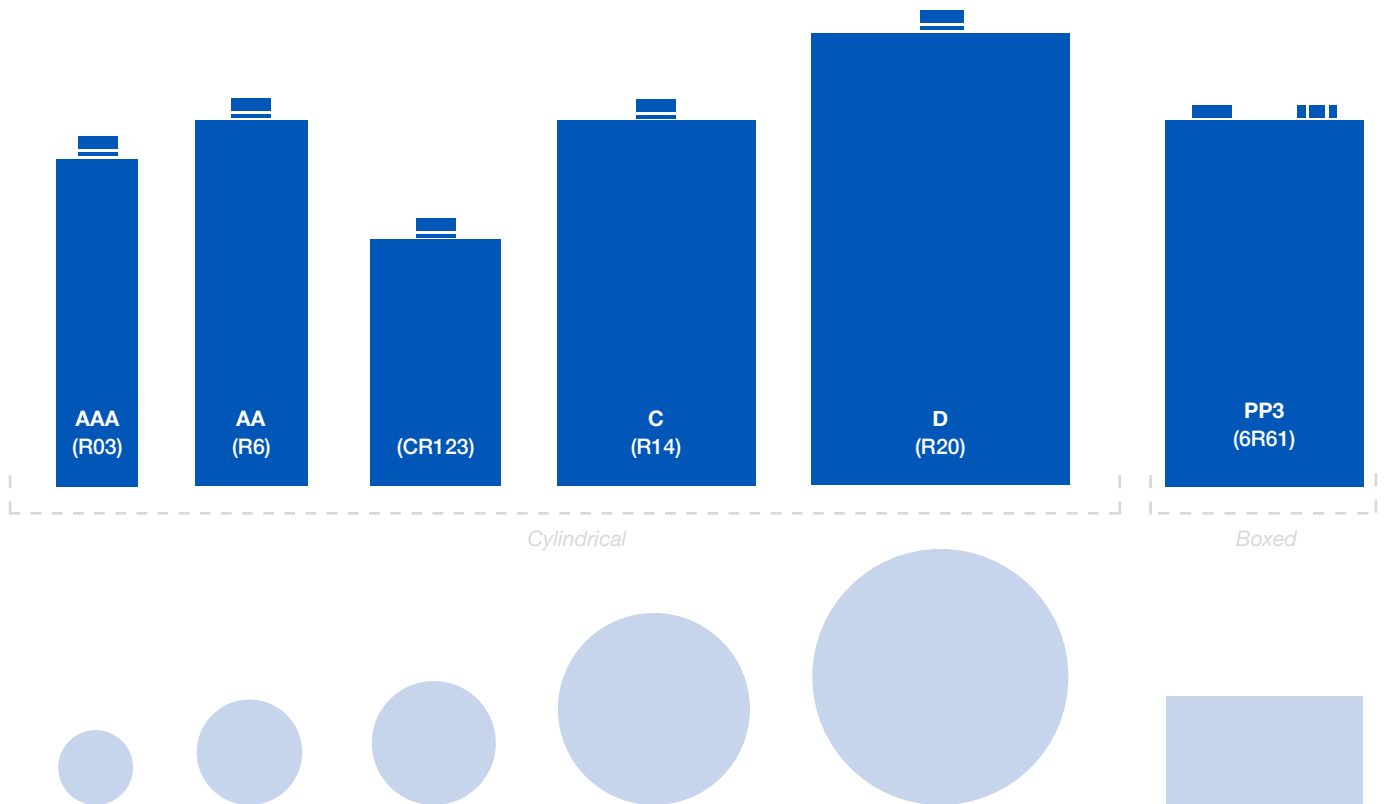
The panel mounting versions are now available in two styles; standard fixing and front panel sealed to IP67, extending the applications into harsher external environments where dust or water would inhibit equipment operation.

The open frame styles are designed to be either PCB or base mounted and most have an interlocking facility to join adjacent holders together.


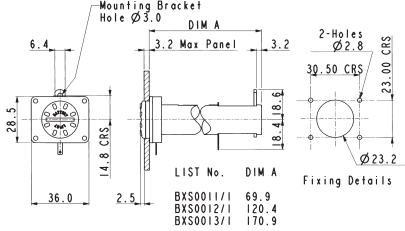

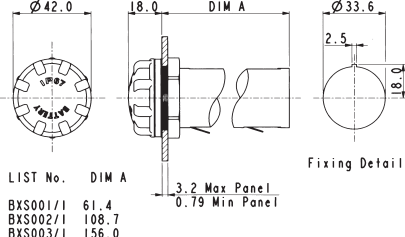

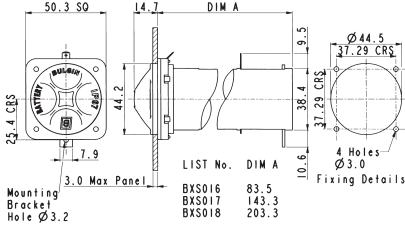
Principle applications include portable equipment and memory back-up.

| | |
|-------------------|---------|
| IP67 Sealed | 260 |
| Panel Mounting | 261-262 |
| PCB/Base Mounting | 263-264 |


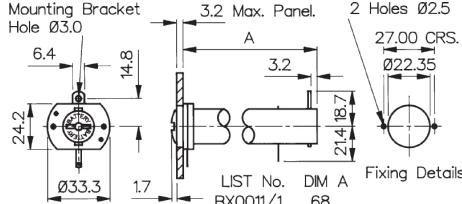

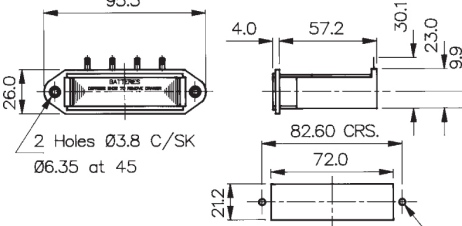

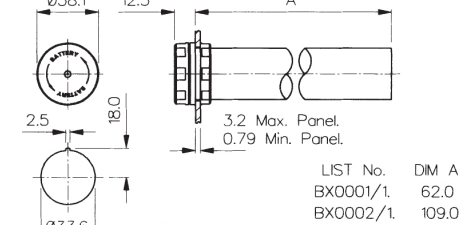
| Battery size | Battery Dimensions | No. of Cells | Mounting | Part No. |
|--------------|-----------------------|--------------|--------------------|-----------|
| AAA (R03) | Ø10.5 x 44.5 | 1 | PCB/Base | BX0034 |
| AA (R6) | Ø14.5 x 50.5 | 1 | PCB/Base | BX0035 |
| | | 1 | Panel | BX0011/1 |
| | | 2 | Panel | BX0012/1 |
| | | 3 | Panel | BX0013/1 |
| | | 4 | Panel | BX0027 |
| | | 1 | Panel Sealed | BXS011/1 |
| | | 2 | Panel Sealed Panel | BXS012/1 |
| | | 3 | Sealed | BXS013/1 |
| | | | | |
| CR123 | Ø17.0 x 34.5 | 1 | PCB/Base | BX0123 |
| C (R14) | Ø26.2 x 50 | 1 | PCB/Base | BX0036 |
| | | 1 | Panel | BX0001/1 |
| | | 2 | Panel | BX0002/1 |
| | | 3 | Panel | BX0003/1 |
| | | 1 | Panel Sealed | BXS001/1 |
| | | 2 | Panel Sealed | BXS002/1 |
| | | 3 | Panel Sealed | BXS003/1 |
| | | | | |
| | | | | |
| D (R20) | Ø34.2 x 61.5 | 1 | PCB/Base | BX0037 |
| | | 1 | Panel | BX0016 |
| | | 2 | Panel | BX0017 |
| | | 3 | Panel | BX0018 |
| | | 1 | Panel Sealed | BXS016 |
| | | 2 | Panel Sealed | BXS017 |
| | | 3 | Panel Sealed | BXS018 |
| | | | | |
| PP3 (6R61) | W26.5 x D17.5 x H48.5 | 1 | PCB/Base | BX0033 |
| | | 1 | Panel | BX0023 |
| | | 1 | Panel | BX0023/GY |
| | | 2 | Panel | BX0026 |
| | | | | |




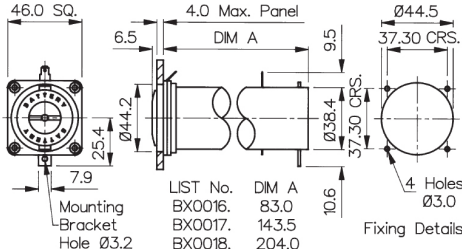

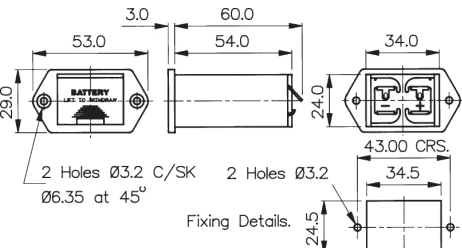

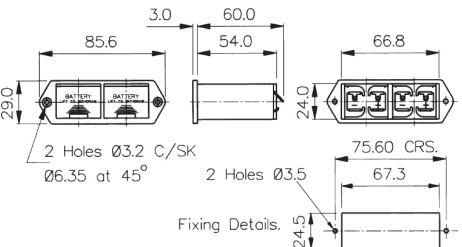
As batteries from different manufacturers may vary slightly in size, Dimensions & Drawings are approximate only.
All Bulgin Battery Holders have polarity clearly marked.

| | | |
|---|---|---|
| <p>AA SIZE BATTERY HOLDER</p>  <p>BXS011/1</p> | <ul style="list-style-type: none"> ○ 1, 2 or 3 Cells ○ Flanged Panel Mount ○ Bayonet with finger/coin slot release ○ Supplied with gasket and sealing grommets for screws |  <p>LIST No. DIM A</p> <p>BXS0011/1 69.9 BXS0012/1 120.4 BXS0013/1 170.9</p> |
| <p>C SIZE BATTERY HOLDER</p>  <p>BXS001/1</p> | <ul style="list-style-type: none"> ○ 1, 2 or 3 Cells ○ Panel Mount ○ Screw Cap/Hand release ○ Supplied with gasket |  <p>LIST No. DIM A</p> <p>BXS001/1 61.4 BXS002/1 108.7 BXS003/1 156.0</p> |
| <p>D SIZE BATTERY HOLDER</p>  <p>BXS016</p> | <ul style="list-style-type: none"> ○ 1, 2 or 3 Cells ○ Flanged Panel Mount ○ Bayonet/finger release ○ Supplied with flange gasket and sealing grommets for screws |  <p>LIST No. DIM A</p> <p>BXS016 83.5 BXS017 143.3 BXS018 203.3</p> |

| Specification | BXS011/1, BXS012/1, BXS013/1 | BXS001/1, BXS002/1, BXS003/1 | BXS016, BXS017, BXS018 |
|---------------------------|---|--|---|
| Battery/Cell Type: | AA (R6) | C (R14) | D (R20) |
| No. Cells: | BXS011/1 - 1 cell BXS012/1 - 2 cells BXS013/1 - 3 cells | BXS001/1 - 1 cell BXS002/1 - 2 cells BXS003/1 - 3 cells | BXS016 - 1 cell BXS017 - 2 cells BXS018 - 3 cells |
| Terminations: | 2.8 series tabs/solder tags | 2.8 series tabs/solder tags | 4.8 series tabs/solder tags |
| Operating Temperature: | -30°C to +70°C | -30°C to +70°C | -30°C to +70°C |
| Mouldings: | Nylon Glass filled Polyester Polycarbonate | Nylon Glass filled Polyester | Nylon Glass filled Polyester |
| Flammability Rating: | UL94V-0 | UL94V-0 | UL94V-0 |
| Contacts: | Brass, Tin Plated - rear contact Nickel Silver, clean - front contact and cap contact plate | Brass, Tin Plated - front and rear contacts Nickel Silver, clean - cap contact plate | Brass, Nickel Plated - front and rear contacts and cap contact plate |
| Features: | Bayonet cap with finger grip and coin slot Rear support bracket | Screw on cap with finger grip Recommended torque for panel ring 1.13-1.7Nm (10-15lbf.in) | Bayonet cap with finger grip Rear support bracket |
| Sealing (front of panel): | Protection classification IP67, EN60529:1992+A2:2013 | Protection classification IP67, EN60529:1992+A2:2013 | Protection classification IP67, EN60529:1992+A2:2013 |
| Notes: | Recommend 2 & 3 cell versions are supported by rear bracket | | Recommend 2 & 3 cell versions are supported by rear bracket |
| RoHS | Compliant | Compliant | Compliant |

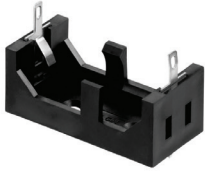
| | | |
|---|---|--|
| <p>AA SIZE BATTERY HOLDER</p>  <p>BX0011/1</p> | <ul style="list-style-type: none"> ○ 1, 2 or 3 Cells ○ Flanged Panel Mount ○ Bayonet/Screwdriver release |  <p>LIST No. DIM A</p> <p>BX0011/1. 68</p> <p>BX0012/1. 118.6</p> <p>BX0013/1. 169.5</p> |
| <p>AA SIZE BATTERY HOLDER</p>  <p>BX0027</p> | <ul style="list-style-type: none"> ○ 4 Cells ○ Flanged Panel Mount ○ Drawer function |  <p>Fixing Details. 2 Holes Ø3.8</p> |
| <p>C SIZE BATTERY HOLDER</p>  <p>BX0001/1</p> | <ul style="list-style-type: none"> ○ 1, 2 or 3 Cells ○ Panel Mount ○ Screw Cap/Hand release |  <p>LIST No. DIM A</p> <p>BX0001/1. 62.0</p> <p>BX0002/1. 109.0</p> <p>BX0003/1. 156.0</p> |

| Specification | BX0011/1, BX0012/1, BX0013/1 | BX0027 | BX0001/1, BX0002/1, BX0003/1 |
|------------------------|---|---|---|
| Battery/Cell Type: | AA (R6) | AA (R6) | C (R14) |
| No. Cells: | BX0011/1 - 1 cell BX0012/1 - 2 cells BX0013/1 - 3 cells | 4 cells | BX0001/1 - 1 cell BX0002/1 - 2 cells BX0003/1 - 3 cells |
| Terminations: | 2.8 series tabs/solder tags | 4 solder tags (can be wired in series or in pairs) | 2.8 series tabs/solder tags |
| Operating Temperature: | -30°C to +70°C | -30°C to +70°C | -30°C to +70°C |
| Flammability Rating: | UL94V-0 | UL94HB | UL94V-0 |
| Mouldings: | Glass Filled Nylon & Polyester | Glass Filled Nylon | Nylon & Glass Filled Nylon |
| Contacts: | Brass, Tin Plated Nickel Silver, clean | Phosphor Bronze, Tin Plated Nickel Silver, clean | Nickel Silver, clean Brass, Tin Plated |
| Features: | Bayonet cap with coin slot Rear support bracket | Removable loading/latching drawer | Screw on cap. Recommended torque for panel ring 1.13-1.7Nm (10-15lb.in) |
| Notes: | Recommend 2 & 3 cell versions are supported by rear bracket | | |
| RoHS | Compliant | Compliant | Compliant |

| | | |
|--|--|--|
| <p>D SIZE BATTERY HOLDER</p>  <p>BX0016</p> | <ul style="list-style-type: none"> ○ 1, 2 or 3 Cells ○ Flanged Panel Mount ○ Bayonet/Screwdriver release |  <p>LIST No. DIM A BX0016. 83.0 BX0017. 143.5 BX0018. 204.0</p> <p>Mounting Bracket Hole Ø3.2</p> <p>Fixing Details.</p> |
| <p>PP3 SIZE BATTERY HOLDER</p>  <p>BX0023 BX0023/GY</p> | <ul style="list-style-type: none"> ○ 1 Cell ○ Flanged Panel Mount ○ Drawer function ○ Grey version available (BX0023/GY) |  <p>Fixing Details.</p> |
| <p>PP3 SIZE BATTERY HOLDER</p>  <p>BX0026</p> | <ul style="list-style-type: none"> ○ 2 Cell ○ Panel Mount ○ Screw Cap/Hand release |  <p>Fixing Details.</p> |

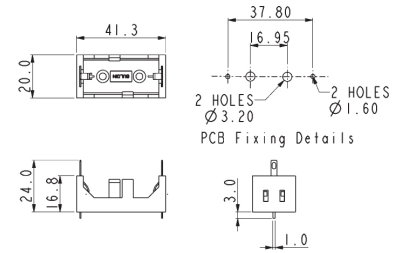
| Specification | BX0016, BX0017, BX0018 | BX0023, BX0023/GY | BX0026 |
|------------------------|---|--|-----------------------------|
| Battery/Cell Type: | D (R20) | PP3 (6R61) | PP3 (6R61) |
| No. Cells: | BX0016 - 1 cell BX0017 - 2 cells BX0018 - 3 cells | BX0023 - 1 cell BX0023/GY - 1 cell (grey version) | 2 cells |
| Terminations: | 4.8 series tabs/solder tags | Solder tag | Solder tags |
| Operating Temperature: | -30°C to +70°C | -30°C to +70°C | -30°C to +70°C |
| Flammability Rating: | UL94V-0 | UL94HB | UL94HB |
| Mouldings: | Nylon & Polycarbonate | Glass Filled Nylon | Glass Filled Nylon |
| Contacts: | Brass, Nickel Plated | Phosphor Bronze, Tin Plated | Phosphor Bronze, Tin Plated |
| Features: | Bayonet cap with coin slot Rear support bracket | Removable loading drawer | Removable loading drawer |
| Notes: | Recommend 2 & 3 cell versions are supported by rear bracket | | |
| RoHS | Compliant | Compliant | Compliant |

CR123 SIZE BATTERY HOLDER



BX0123

- 1 Cell
- PCB/Base Mount
- Open style

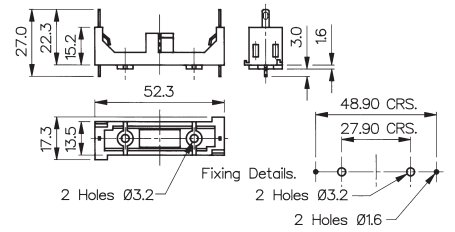


AAA SIZE BATTERY HOLDER

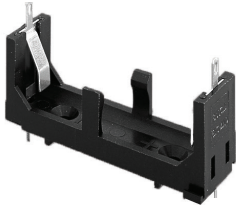


BX0034

- 1 Cell
- PCB/Base Mount
- Open style

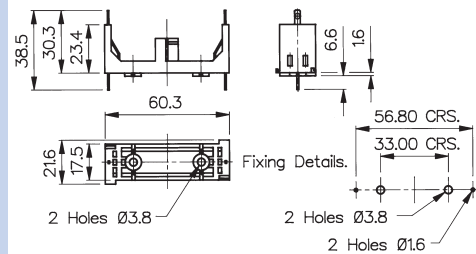


AA SIZE BATTERY HOLDER



BX0035

- 1 Cell
- PCB/Base Mount
- Open style



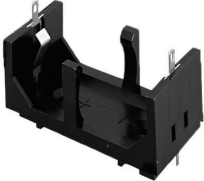
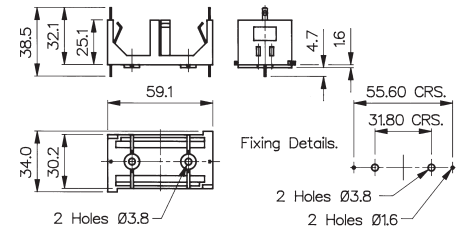

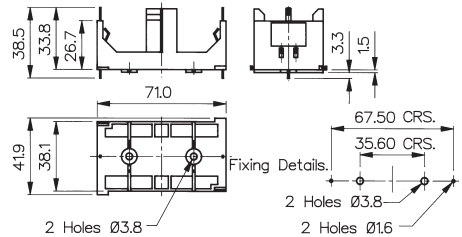

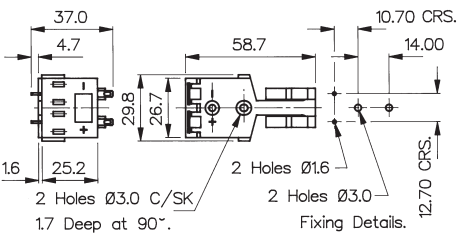
Specification

BX0123

BX0034

BX0035

| | | | |
|------------------------|---|---|---|
| Battery/Cell Type: | CR123 | AAA (R03) | AA (R6) |
| No. Cells: | 1 cell | 1 cell | 1 cell |
| Terminations: | Dual connections, PCB spills & 2.8 series tabs/solder tags. (PCB spills may be removed if required) | Dual connections, PCB spills & 2.8 series tabs/solder tags. (PCB spills may be removed if required) | Dual connections, PCB spills & 2.8 series tabs/solder tags. (PCB spills may be removed if required) |
| Operating Temperature: | -30°C to +70°C | -30°C to +70°C | -30°C to +70°C |
| Flammability Rating: | UL94HB | UL94HB | UL94HB |
| Mouldings: | Glass Filled Nylon | Glass Filled Nylon | Nylon & Glass Filled Nylon |
| Contacts: | Nickel Silver, clean | Nickel Silver, clean | Nickel Silver, clean |
| Features: | | Interlocking for multiple assemblies | Interlocking for multiple assemblies |
| RoHS | Compliant | Compliant | Compliant |

| | | |
|--|--|--|
| <p>C SIZE BATTERY HOLDER</p>  <p style="text-align: right;">BX0036</p> | <ul style="list-style-type: none"> ○ 1 Cell ○ PCB/Base Mount ○ Open style |  |
| <p>D SIZE BATTERY HOLDER</p>  <p style="text-align: right;">BX0037</p> | <ul style="list-style-type: none"> ○ 1 Cell ○ PCB/Base Mount ○ Open style |  |
| <p>PP3 SIZE BATTERY HOLDER</p>  <p style="text-align: right;">BX0033</p> | <ul style="list-style-type: none"> ○ 1 Cell ○ PCB/Base Mount ○ Open style |  |

| Specification | BX0036 | BX0037 | BX0033 |
|------------------------|---|---|---|
| Battery/Cell Type: | C (R14) | D (R20) | PP3 (6R61) |
| No. Cells: | 1 cell | 1 cell | 1 cell |
| Terminations: | Dual connections, PCB spills & 2.8 series tabs/solder tags. (PCB spills may be removed if required) | Dual connections, PCB spills & 2.8 series tabs/solder tags. (PCB spills may be removed if required) | Dual connections, PCB spills & 2.8 series tabs/solder tags. (PCB spills may be removed if required) |
| Operating Temperature: | -30°C to +70°C | -30°C to +70°C | -30°C to +70°C |
| Flammability Rating: | UL94HB | UL94HB | UL94HB |
| Mouldings: | Glass Filled Nylon | Glass Filled Nylon | Nylon & Glass Filled Nylon |
| Contacts: | Nickel Silver, clean | Nickel Silver, clean | Nickel Silver, clean |
| Features: | Interlocking for multiple assemblies | Interlocking for multiple assemblies | |
| RoHS | Compliant | Compliant | Compliant |