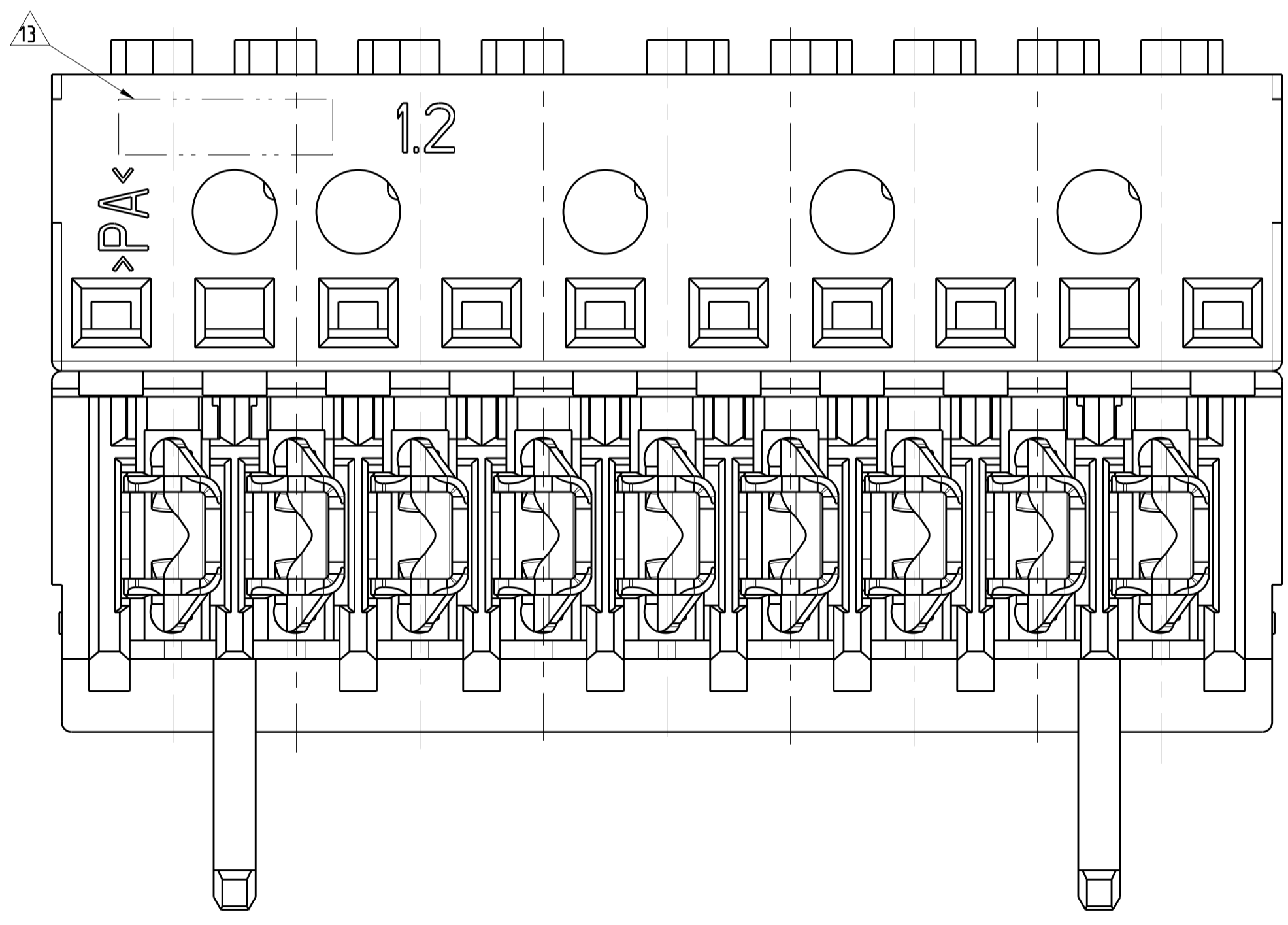
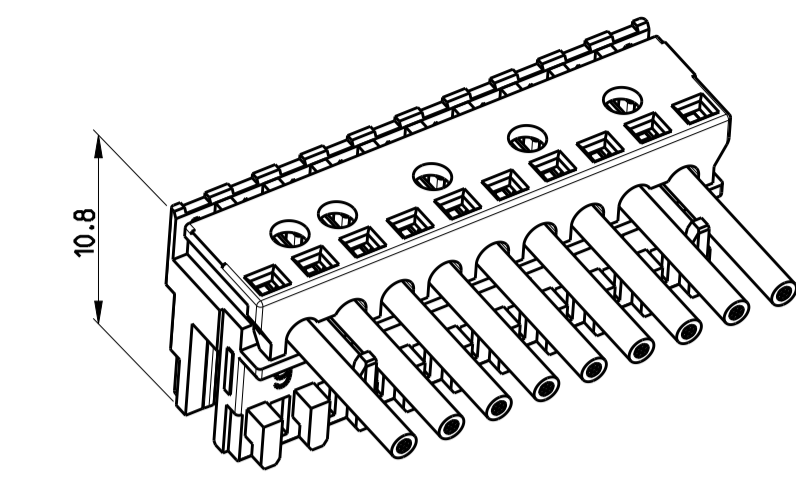
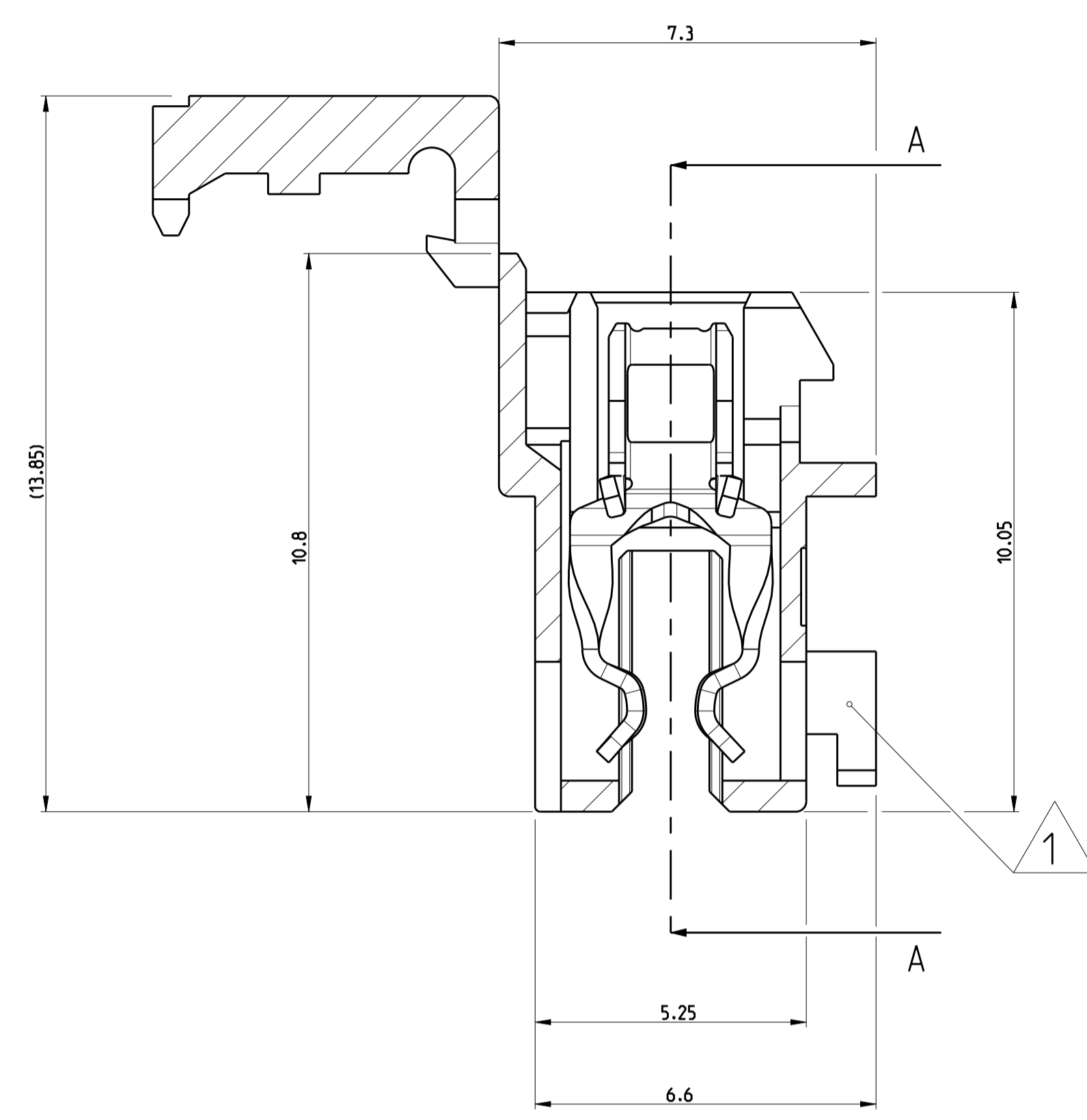
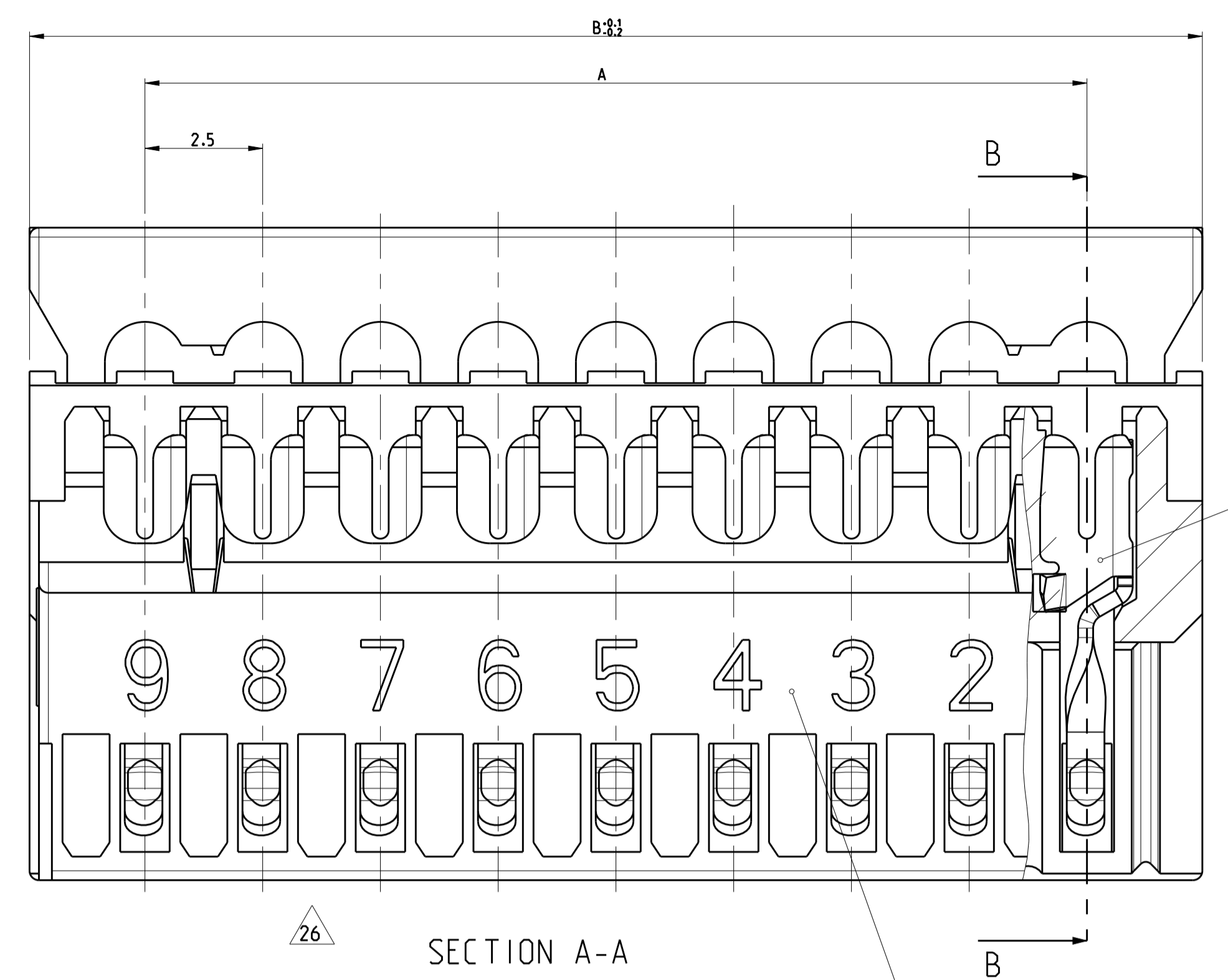
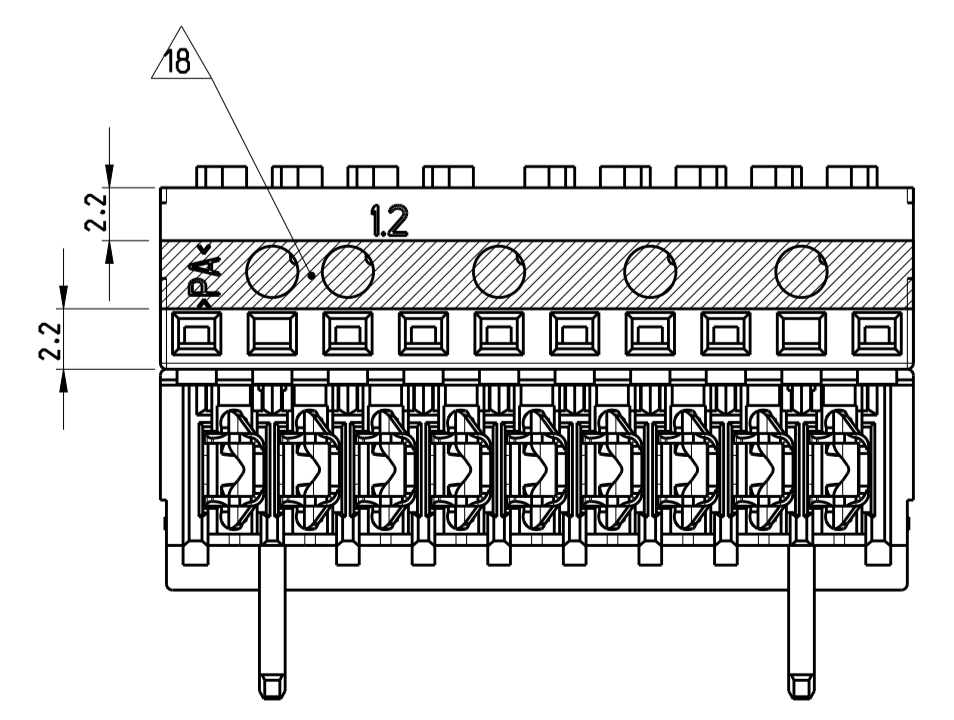
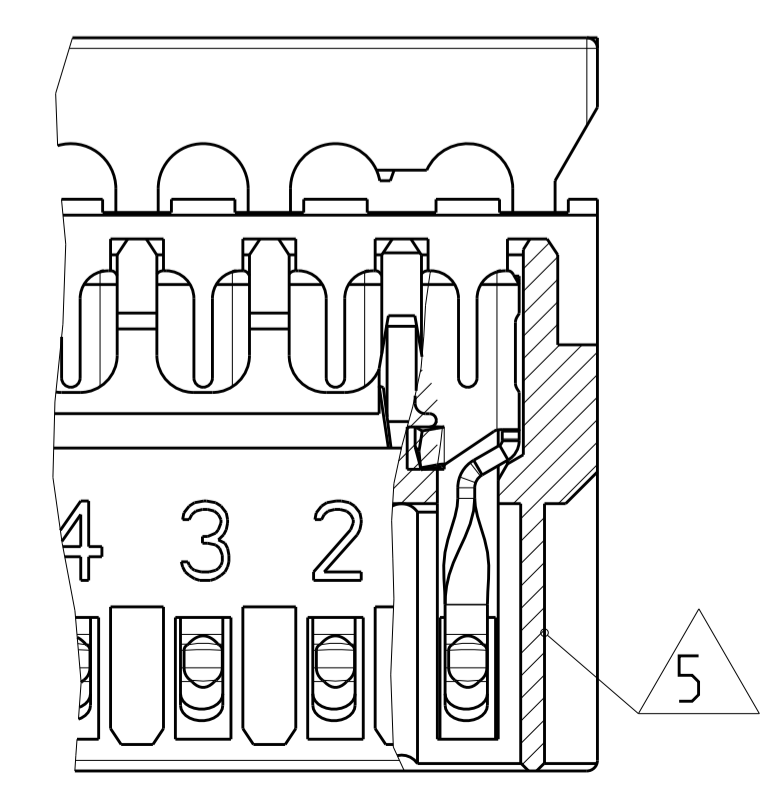
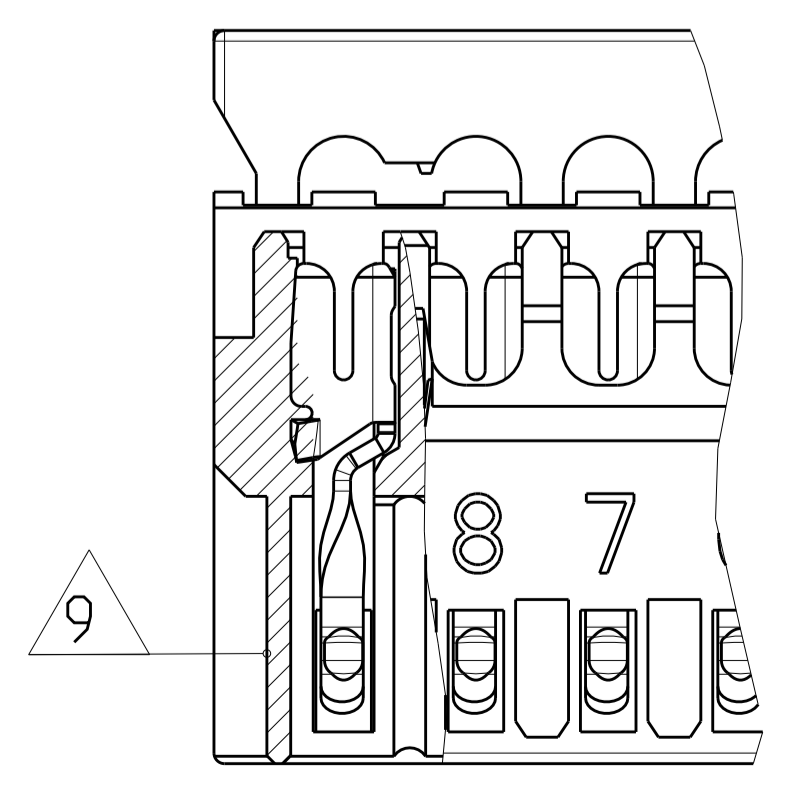


LOC		DIST		REVISIONS			
P	LTR	DESCRIPTION	DATE	DWN	APVD		
D47	ECR-18-01938		21SEP2018	LZ	FL		
D48	ECR-18-017546		07NOV2018	LZ	FL		



- 26 DIMENSION AVAILABE ONLY FOR PART X-2304525-X, X-2304526-X.
- 25 WITH SPECIAL CHAIN FEATURE
- 24 SIDE KEYING ON LAST CAVITY, THICK-1.5mm
- 23 -
- 19 SIDE KEYING, THICK, ON CAVITY No.1
- 18 COLOR STRIP ON COVER OF HOUSING, NOT THE COLOR OF HOUSING.
- 17 SLOT FOR KEYING, SLIM, BETWEEN POSITION
- 16 SLOT FOR KEYING, THICK, BETWEEN POSITION
- 15 KEYING, THICK, BETWEEN POSITION
- 14 COLOR CODE
- 13 TE LOGO
- 12 PRELIMINARY PART NOT RELEASED FOR PRODUCTION
- 11 KEYING, SLIM, BETWEEN POSITION
- 10 SLOT FOR SIDE KEYING, ON LAST CAVITY
Schlitz fuer Seitenkodierung, an letzter Kammer
- 9 SIDE KEYING, SLIM, ON LAST CAVITY
Seitenkodierung, an letzter Kammer
- 8 INCLUSIVE COPPER CLOADING
Inklusive Kupferkaschierung
- 7 PCB PREFERABLY CHAMFERED
Leiterplatte vorzugsweise angefasst
- 6 SLOT FOR SIDE KEYING, ON CAVITY NO 1
Schlitz fuer Seitenkodierung, an Kammer 1
- 5 SIDE KEYING, ON CAVITY No. 1
Seitenkodierung, an Kammer Nr. 1
- 4 WIRE RANGE: 0.22-0.35mm² SEE APPLICATION SPEC. 114-18467
Drahtgroesse Benbereich: 0.22-0.35mm² siehe Verarbeitungsspec. 114-18467
- 3 IEC 60695-2-11 / IEC 60335-1 GLOW WIRE TEST 750 °C WITHOUT FLAME
IEC 60695-2-11 / IEC 60335-1 Gluehdrahttest 750 °C ohne Flamme
- 2 MATING PART: PCB (WITH FRAMES ACC. RAST 2.5 E.G. PN 964 575/576)
TABHEADER PN 829 866/867
Passender Gegenstecker: Leiterplatten (mit Rahmen nach RAST 2.5 z.B. 964 575/576) Tabwannen Nr. 829 866/867
- 1 KEYING RIBS; CUTTING WITH TERMINATION MACHINE POSSIBLE
Kodierrippe; Schneiden auf der Verarbeitungsmaschine moeglich



THIS DRAWING IS A CONTROLLED DOCUMENT.

DIMENSIONS: mm

TOLERANCES UNLESS OTHERWISE SPECIFIED:

0 PLC	±0.2
1 PLC	±0.2
2 PLC	±0.2
3 PLC	±0.2
4 PLC	±0.2
ANGLES	±
FINISH	±

MATERIAL: -

Customer Drawing

DWN: H. Karabiyik 24MAY2002
CHK: B. Schnaubel 24MAY2002
APVD: T. Klenner 24MAY2002

NAME: AMP DUOPLUG 2.5 MARK II FEMALE CONNECTOR 2-20 POSITION

SIZE: 108-18785
APPLICATION SPEC: 114-18467

WEIGHT: -

SCALE: 10:1

SHEET 1 OF 4

RESTRICTED TO: -

U48

LOC	DIST	REVISIONS					
		P	LTR	DESCRIPTION	DATE	DRW	APVD
A1	-			SEE SHEET 1			

PART NUMBERS LOADED WITH TIN PLATED CONTACTS (2-9 POSITION)

SL NO	PN	DESCRIPTION	MATERIAL	COLOUR/FINISH						
9	20	24.9		2/3	5-1534796-9					
9	20	24.9		4/5	2-1534796-9 ¹²					
9	20	24.9			3-1534796-9					
9	20	24.9	X	3/4	4-1534796-9 ¹²					
Brown	8	17.5	22.4	2/3	9-1534796-8					
	8	17.5	22.4	X	8-1534796-8					
	8	17.5	22.4		7-1534796-8					
	8	17.5	22.4		6-1534796-8					
	8	17.5	22.4	X	5-1534796-8					
	8	17.5	22.4		3-1534796-8					
	8	17.5	22.4		2-1534796-8 ¹²					
	7	15	19.9	2/3	7-1534796-7					
BLUE	7	15	19.9	2/3	6-1534796-7					
BLUE	7	15	19.9	X	4-1534796-7 ¹²					
	7	15	19.9	5/6	5-1534796-7 ¹²					
	7	15	19.9		3-1534796-7					
	6	12.5	17.4	2/3	X	9-1534796-6 ¹²				
	6	12.5	17.4	1/2		8-1534796-6 ¹²				
	6	12.5	17.4	3/4		7-1534796-6 ¹²				
	6	12.5	17.4	2/3		6-1534796-6 ¹²				
BLUE	6	12.5	17.4	4/5		2-1534796-6 ¹²				
	6	12.5	17.4	4/5		5-1534796-6 ¹²				
	6	12.5	17.4		X	4-1534796-6				
	6	12.5	17.4			3-1534796-6				
	5	10	14.9	4/5		8-1534796-5 ¹²				
	5	10	14.9	1/2		9-1534796-5				
	5	10	14.9	1/2		4-1534796-5 ¹²				
GREEN	5	10	14.9	3/4		7-1534796-5 ¹²				
BROWN	5	10	14.9	2/3		6-1534796-5				
	5	10	14.9		X	5-1534796-5 ¹²				
	5	10	14.9			3-1534796-5				
BROWN	5	10	14.9	1/2		0-1534796-5 ¹²				
	4	7.5	12.4		X	0-2825353-4 ¹²				
RED	4	7.5	12.4			9-1534796-4				
BLACK	4	7.5	12.4	2/3		8-1534796-4 ¹²				
BLACK	4	7.5	12.4	X	2/3	2-1534796-4 ¹²				
BLACK	4	7.5	12.4	3/4		5-1534796-4				
	4	7.5	12.4	1/2		6-1534796-4				
	4	7.5	12.4	X	1/2	1534796-4 ¹²				
	4	7.5	12.4	3/4		7-1534796-4 ¹²				
	4	7.5	12.4		X	4-1534796-4				
	4	7.5	12.4			3-1534796-4				
RED	3	5	9.9	2/3		2-1534796-3				
	3	5	9.9		X	8-1534796-3 ¹²				
RED	3	5	9.9	2/3		9-1534796-3				
	3	5	9.9	2/3		6-1534796-3				
	3	5	9.9	1/2		7-1534796-3				
	3	5	9.9	2/3	X	4-1534796-3 ¹²				
	3	5	9.9			3-1534796-3				
	2	2.5	7.4	1/2		1-1534796-2 ¹²				
	2	2.5	7.4			1534796-2				
COLOR CODE ¹⁴	POS.	DIM A	DIM B	²⁴ KEYING	¹⁹ KEYING	¹⁵ KEYING	¹¹ KEYING	⁹ KEYING	⁵ KEYING	TE P/N ²⁰
2	SEE TABLE	CONTACT		CuSn		TINNED				
1	SEE TABLE	HOUSING		HIGH TEMP PLASTIC ³		NATUR				
SL NO	PN	DESCRIPTION	MATERIAL	COLOUR/FINISH						

PART NUMBERS LOADED WITH TIN PLATED CONTACTS (10-20 POSITION)

SL NO	PN	DESCRIPTION	MATERIAL	COLOUR/FINISH						
	20	47.5	52.4		3-1534797-0 ¹²					
	19	45	49.9		5-1534797-9 ¹²					
	19	45	49.9		4-1534797-9					
	19	45	49.9		3-1534797-9					
	16	37.5	42.4		3-1534797-6					
	15	35	39.9		3-1534797-5					
	14	32.5	37.4		3-1534797-4					
	13	30	34.9		3-1534797-3					
	12	27.5	32.4	11/12	5-1534797-2 ¹²					
	12	27.5	32.4		X	4-1534797-2				
	12	27.5	32.4			3-1534797-2				
	12	27.5	32.4	X	X	10/11	2/3	2-1534797-2 ¹²		
	11	25	29.9		5/6	7-1534797-1 ¹²				
	11	25	29.9		10/11	6-1534797-1 ¹²				
	11	25	29.9		10/11	X	5-1534797-1 ¹²			
	11	25	29.9		9/10	4-1534797-1				
	11	25	29.9			3-1534797-1				
	10	22.5	27.4		2/3	6-1534796-0 ¹²				
	10	22.5	27.4		8/9	4-1534796-0 ¹²				
	10	22.5	27.4			3-1534796-0				
	10	22.5	27.4		7/8	7-1534796-0				
COLOR CODE ¹⁴	POS.	DIM A	DIM B	²⁴ KEYING	¹⁹ KEYING	¹⁵ KEYING	¹¹ KEYING	⁹ KEYING	⁵ KEYING	TE P/N ²⁰
2	SEE TABLE	CONTACT		CuSn		TINNED				
1	SEE TABLE	HOUSING		HIGH TEMP PLASTIC ³		NATUR				
SL NO	PN	DESCRIPTION	MATERIAL	COLOUR/FINISH						

PART NUMBERS LOADED WITH SILVER PLATED CONTACTS

SL NO	PN	DESCRIPTION	MATERIAL	COLOUR/FINISH						
	20	47.5	52.4		1-2319614-0					
	13	30	34.9		2319614-3 ¹²					
	9	20	24.9		2319613-9 ¹²					
	6	12.5	17.4		2319613-6 ¹²					
	2	2.5	7.4		2319613-2 ¹²					
COLOR CODE ¹⁴	POS.	DIM A	DIM B	²⁴ KEYING	¹⁹ KEYING	¹⁵ KEYING	¹¹ KEYING	⁹ KEYING	⁵ KEYING	TE P/N
2	SEE TABLE	CONTACT		CuSn		SILVERED				
1	SEE TABLE	HOUSING		HIGH TEMP PLASTIC ³		NATUR				
SL NO	PN	DESCRIPTION	MATERIAL	COLOUR/FINISH						

THIS DRAWING IS A CONTROLLED DOCUMENT. DWG: H. Karabiyik 24MAY2002
 CHK: B. Schnaubel 24MAY2002
 APVD: T. Klenner 24MAY2002

STE TE Connectivity

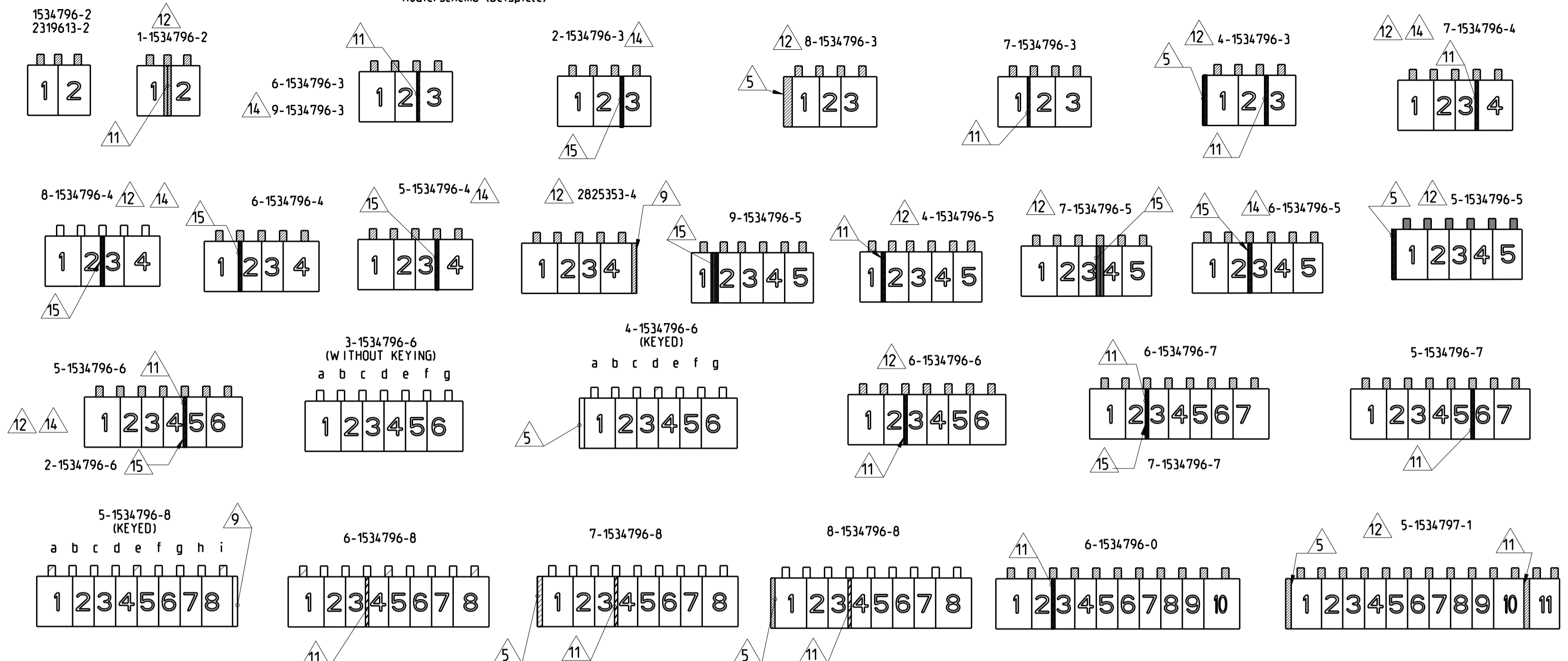
NAME: AMP DUOPLUG 2.5 MARK II FEMALE CONNECTOR 2-20 POSITION

PRODUCT SPEC: 108-18785
 APPLICATION SPEC: 116-18667

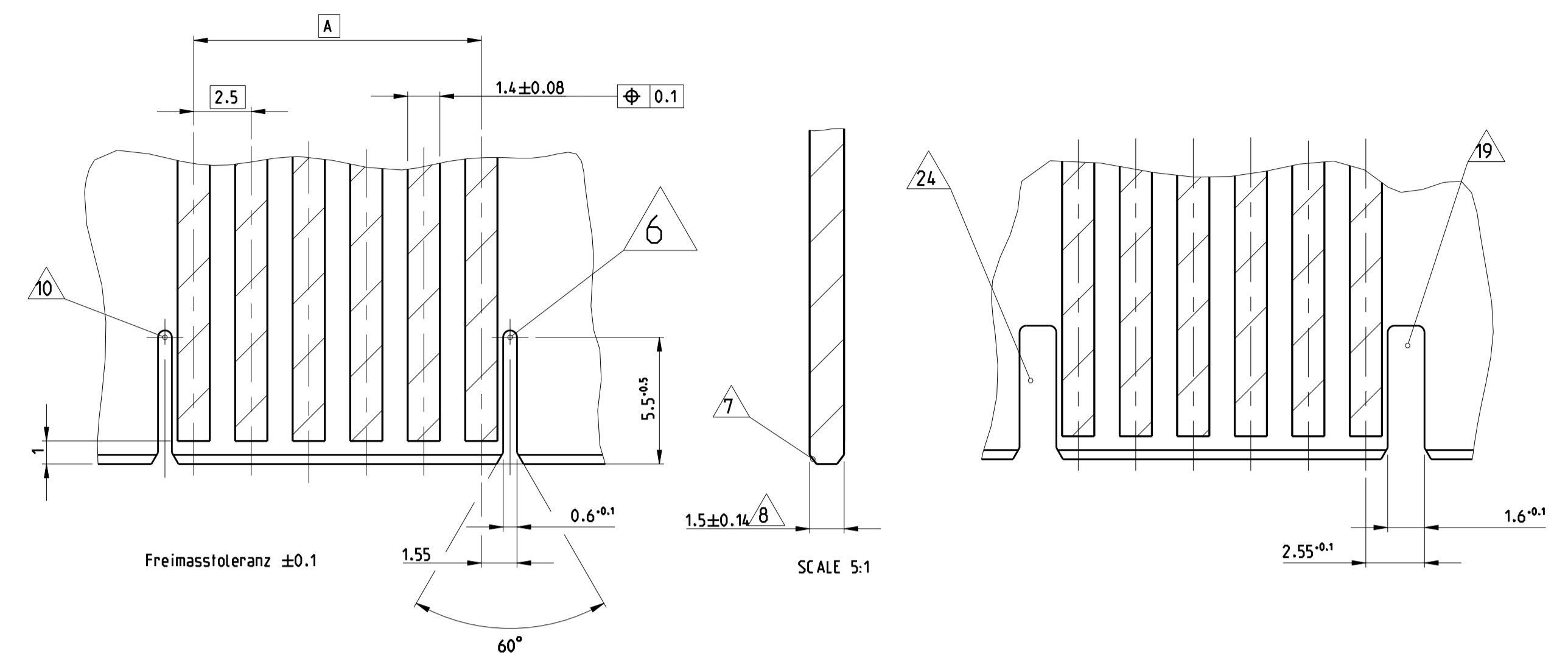
SIZE: A1 CAGE CODE: 00779 DRAWING NO: C-1534796 RESTRICTED TO: -
 WEIGHT: -
 Customer Drawing SCALE: 10:1 SHEET: 2 OF 4 REV: 048

LOC	DIST	REV	DESCRIPTION	DATE	DRW	APVD
A1	-	-	SEE SHEET 1	-	-	-

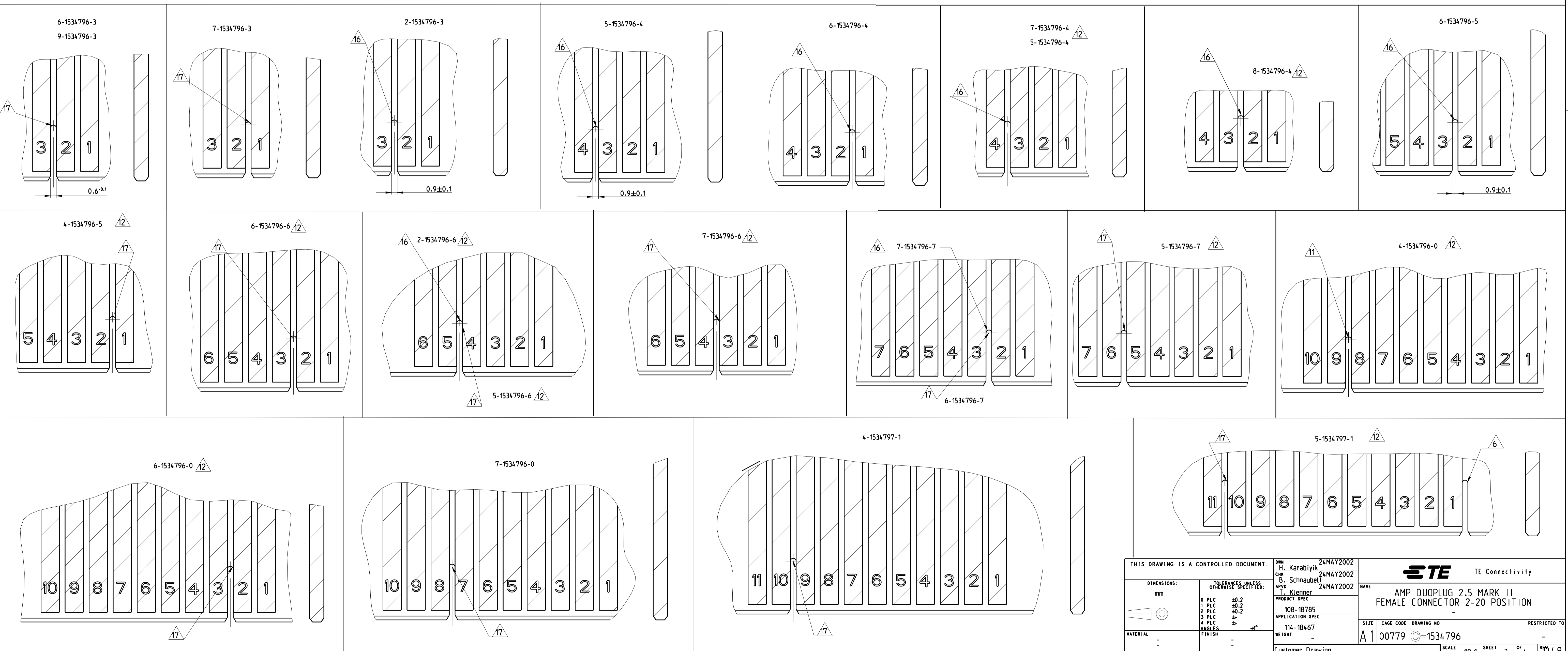
KEYING PLAN (EXAMPLES)
 Kodierschema (Beispiele)



PCB LAYOUT KEYED / CONNECTED ONLY WITH ADDITIONAL FRAME
 Leiterplattenanschluss kodiert / nur in Verbindung mit zusätzlichem Rahmen



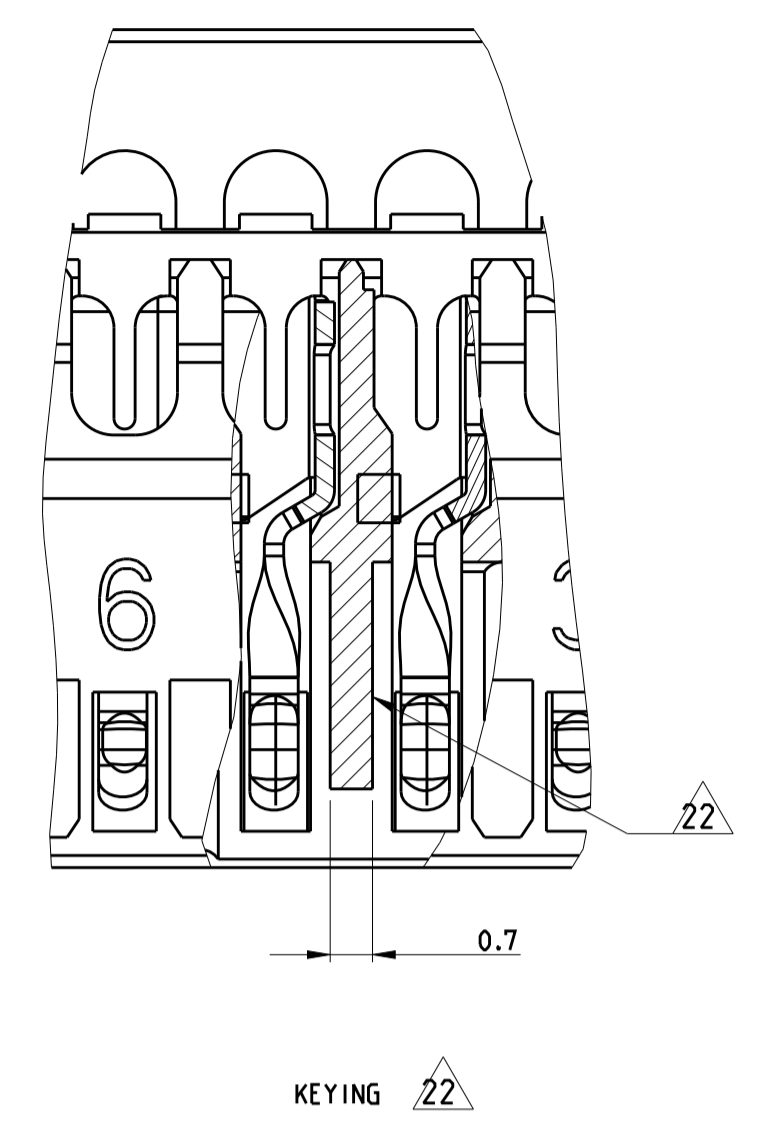
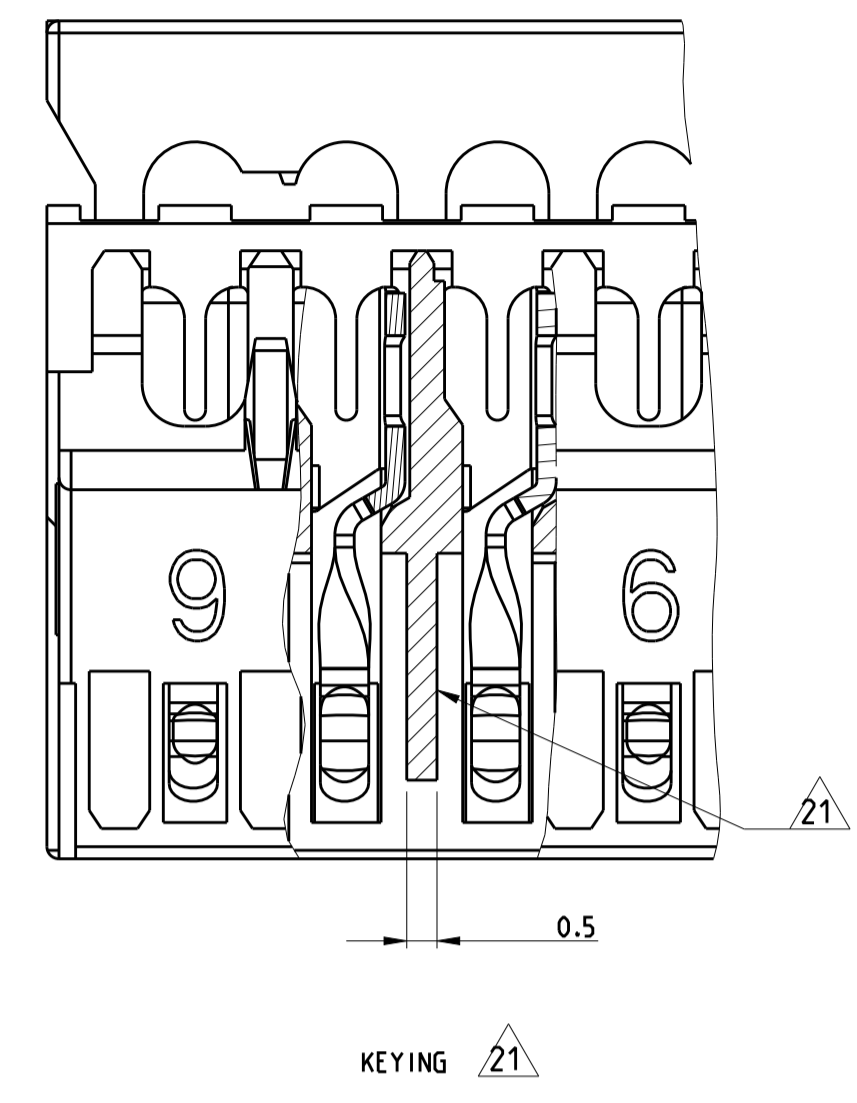
PCB LAYOUT FOR KEYING BETWEEN POSITION



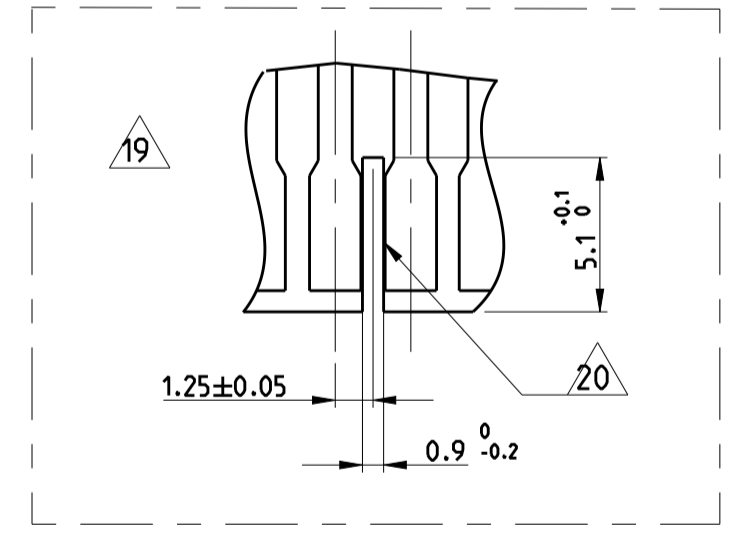
THIS DRAWING IS A CONTROLLED DOCUMENT.

DIMENSIONS:	TOLERANCES UNLESS OTHERWISE SPECIFIED:	DRW: H. Karabiyik 24MAY2002	NAME: AMP DUOPLUG 2.5 MARK 11 FEMALE CONNECTOR 2-20 POSITION
mm	0 PLC ±0.2	CHK: B. Schnaubel 24MAY2002	SIZE: CAGE CODE DRAWING NO. RESTRICTED TO
	1 PLC ±0.2	APPD: T. Klenner 24MAY2002	A1 00779 C=1534796
	2 PLC ±0.2		SCALE: 10:1 SHEET 3 OF 4
	3 PLC ±0.2		U48
	4 PLC ±0.2		
	ANGLES ±°		
	FINISH ±*		
MATERIAL:		WEIGHT: 114-18467	Customer Drawing

LOC	DIST	REV	DATE	BY	CHKD	APVD
A1	-	1	-	-	-	-
REVISIONS			DESCRIPTION	DATE	BY	APVD
			SEE SHEET 1	-	-	-



- $\triangle 22$ KEYING. SPECIAL THICK. BETWEEN POSITION
- $\triangle 21$ KEYING. SPECIAL THIN. BETWEEN POSITION
- $\triangle 20$ SLOT FOR KEYING SPECIAL. BETWEEN POSITION
- $\triangle 19$ RECOMMENDED PCB CUTOFF DIMENSION FOR THE KEYING SPECIAL. BETWEEN POSITION



GWT 750C AND UL VO VERSION									
Color Code	POS. Polzahl	DIM A	DIM B	$\triangle 11$ KEYING	$\triangle 15$ KEYING	$\triangle 22$ KEYING	$\triangle 21$ KEYING	$\triangle 5$ KEYING	PN Bestell-Nr.
	14	32.5	37.4						2304526-4 $\triangle 12$
	12	27.5	32.4						2304526-2
	10	22.5	27.4						1-2304525-0
Blue	8	17.5	22.4	-	-	-	-		2-2304525-8
	8	17.5	22.4	-	-	-	-		1-2304525-8
Brown	8	17.5	22.4	-	-	-	2/3		2304525-8
	7	15	19.9	-	-	-	-		2304525-7
Black	6	12.5	17.4	-	-	-	-		4-2304525-6
Red	6	12.5	17.4	-	-	-	2/3		2-2304525-6
	6	12.5	17.4	-	-	-	-		1-2304525-6
Blue	6	12.5	17.4	-	-	-	4/5		2304525-6
	5	10	14.9	4/5					5-2304525-5 $\triangle 12$
	5	10	14.9		1/2	-	-		4-2304525-5
Green	5	10	14.9	-	-	-	3/4		2-2304525-5
Brown	5	10	14.9	-	-	-	2/3		1-2304525-5
	5	10	14.9	-	-	-	-		2304525-5
Black	4	7.5	12.4	-	3/4	-	-		4-2304525-4
Blue	4	7.5	12.4	-	-	-	-		3-2304525-4
	4	7.5	12.4	-	-	-	-		2-2304525-4
Brown	4	7.5	12.4	-	-	-	1/2		1-2304525-4
Black	4	7.5	12.4	-	-	-	3/4		2304525-4
Red	3	5	9.9		2/3				3-2302525-3
	3	5	9.9					X	2-2302525-3 $\triangle 12$
	3	5	9.9	-	-	-	-		1-2304525-3
Black	3	5	9.9	-	-	1/2	-		2304525-3

THIS DRAWING IS A CONTROLLED DOCUMENT. DWN: H. Karabiyik 24MAY2002
 CHK: B. Schnaubel 24MAY2002
 APVD: T. Klenner 24MAY2002

STE TE Connectivity

NAME: AMP DUOPLUG 2.5 MARK 11 FEMALE CONNECTOR 2-20 POSITION

PRODUCT SPEC: 108-18785
 APPLICATION SPEC: 116-18467

SIZE: A1 CAGE CODE: 00779 DRAWING NO: C=1534796 RESTRICTED TO: -

MATERIAL: - FINISH: - WEIGHT: - SCALE: 10:1 SHEET 4 OF 4

Customer Drawing REVISION: 048